



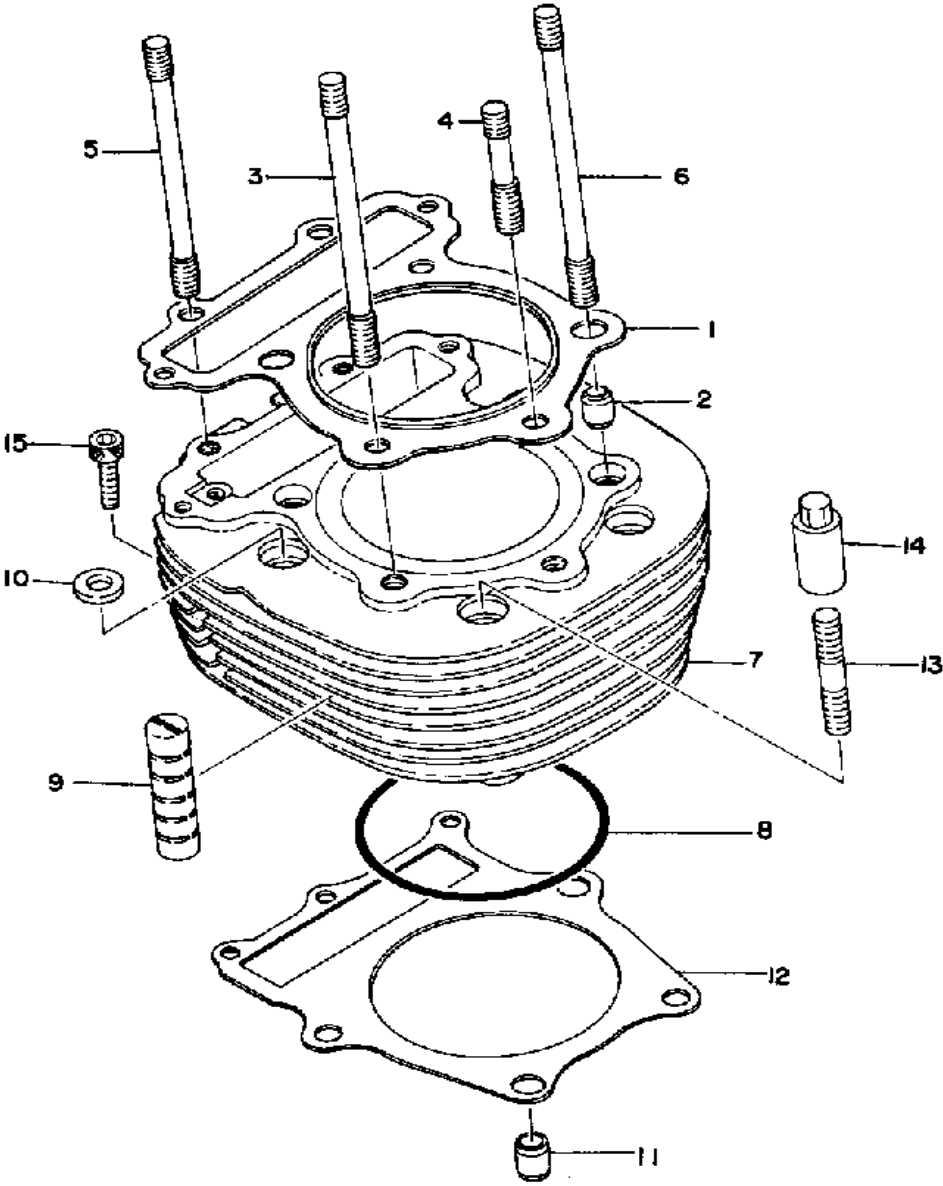
YAMAHA

GENUINE

PARTS CATALOGUE

MOTORCYCLE

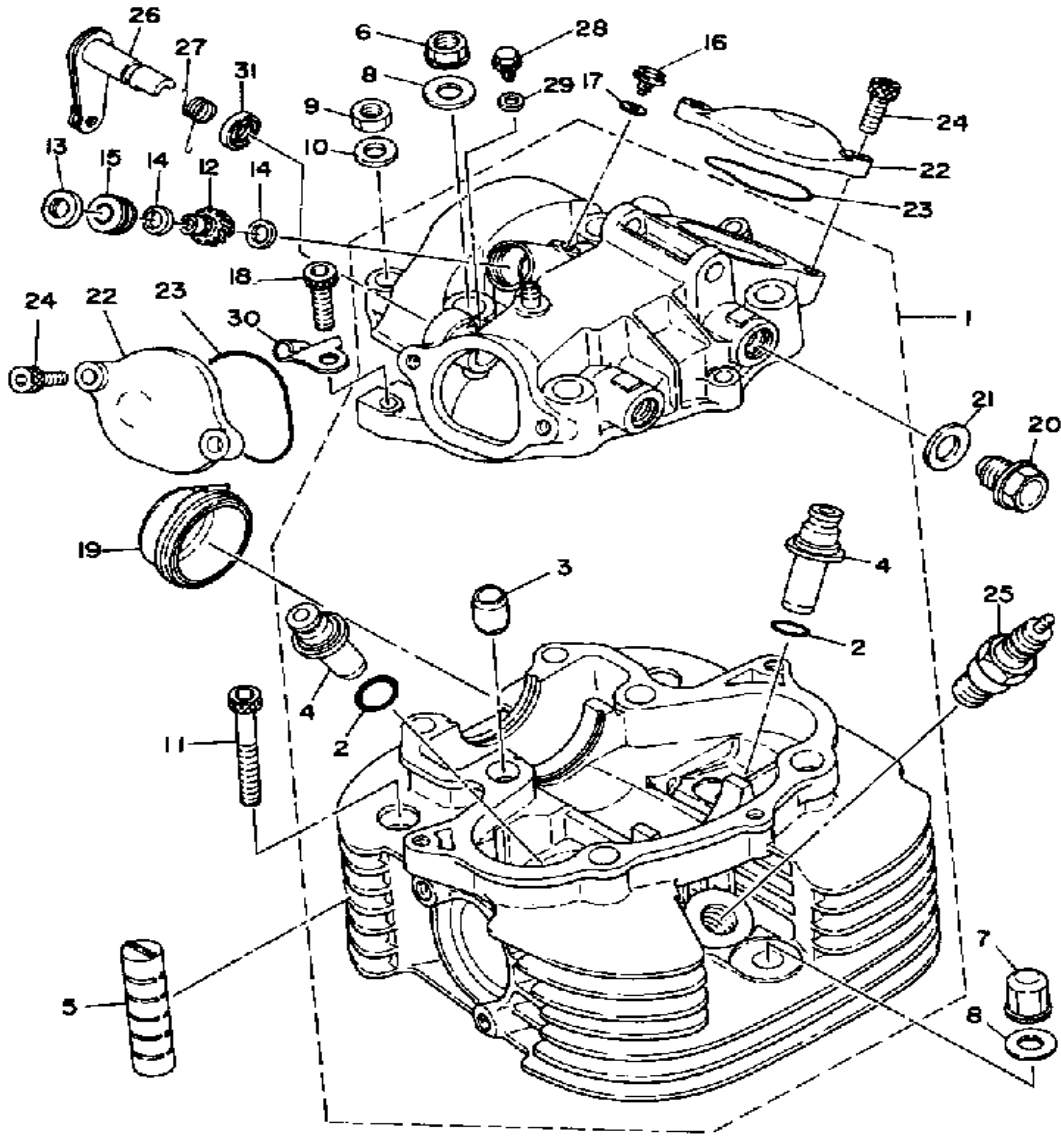
CYLINDER



Ref. No.	Part Number	Description	Qty	Remarks
1	2J2-11181-09-00	GASKET, CYLINDER HEAD 1	1	
2	99530-14016-00	PIN, DOWEL	2	
3	90116-10222-00	BOLT, STUD	2	
4	90116-10223-00	BOLT, STUD	1	
5	90116-08190-00	BOLT, STUD	2	
6	90116-10225-00	BOLT, STUD	2	
7	583-11310-00-00	CYLINDER	1	
8	93210-92295-00	O-RING	1	
9	583-11127-00-00	ABSORBER 3	2	
10	90201-10590-00	WASHER, PLATE	4	
11	99530-14016-00	PIN, DOWEL	2	
12	583-11351-00-00	GASKET, CYLINDER	1	
13	90116-10087-00	BOLT, STUD	4	
14	90179-10201-00	NUT	4	
15	90110-06138-00	BOLT, HEX SKT HEAD	3	



CYLINDER HEAD

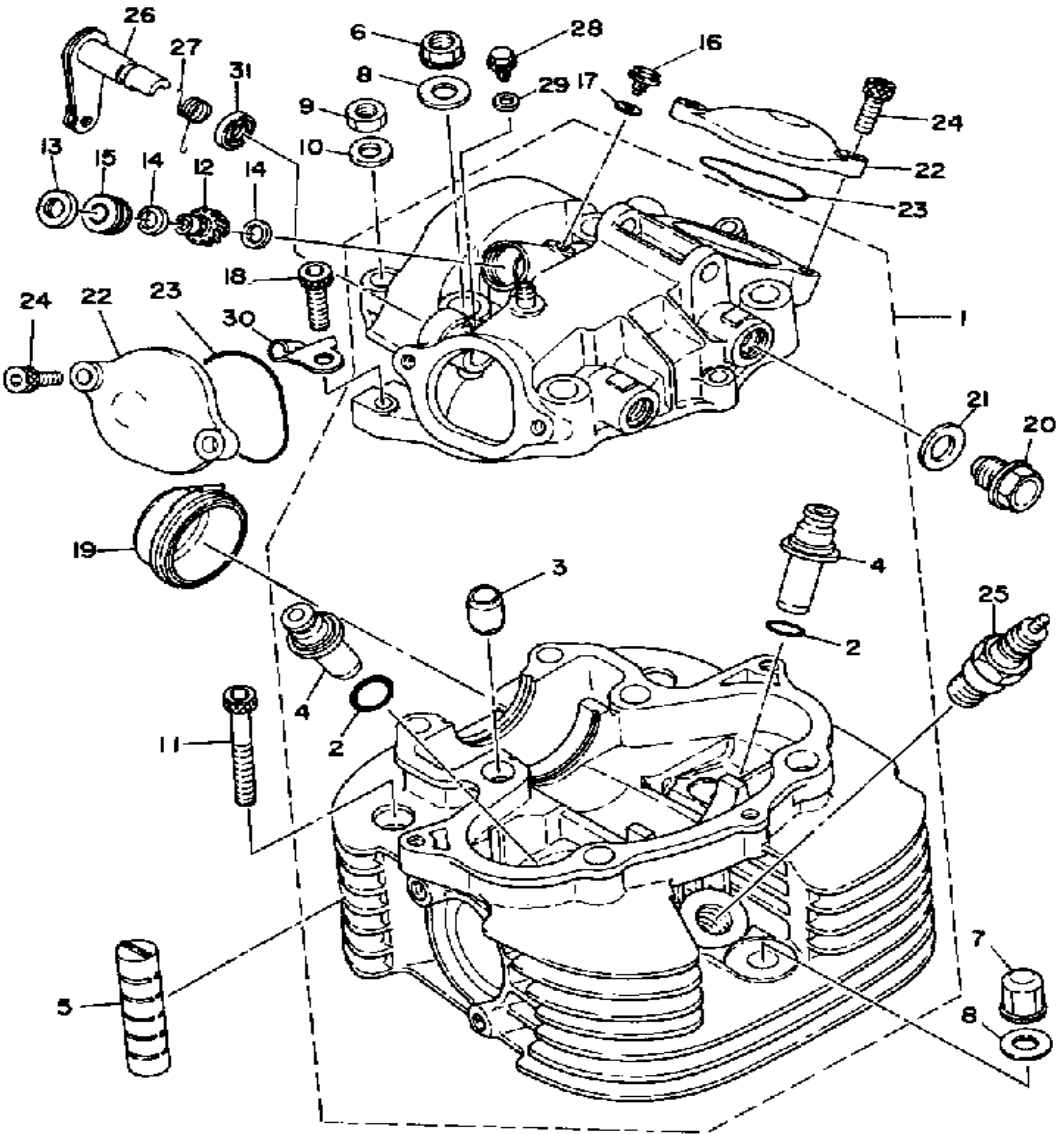


Bore/Stroke/Number Cylinders/Displacement (cc)	87mm / 84mm / 1 / 496cc
Compression Ratio/Compression Pressure min ~ max	9.0: 1 / 9.5 ~ 10.5 kg/cm ²

Ref. No.	Part Number	Description	Qty	Remarks
1	(2Y0-11101-01-00)	CILINDER HEAD ASSEMBLY ..	1	
2	93210-14299-00	. O-RING	2	
3	99530-14016-00	. PIN, DOWEL	2	
4	583-11133-11-00	. GDE, INTK VLV 1 O/S	2	
5	583-11127-00-00	ABSORBER 3	2	
6	90179-10279-00	NUT	4	
7	90176-10049-00	NUT, CROWN	1	
8	90201-10124-00	WASHER, PLATE	5	
9	95333-08600-00	NUT	2	
10	90201-08649-00	WASHER, PLATE	2	
11	91316-06055-00	BOLT, SOCKET HEAD	2	
12	1E6-17841-00-00	GEAR, DRIVEN	1	
13	93101-08132-00	OIL SEAL, S-TYPE	1	
14	90201-084L7-00	WASHER, PLATE	2	
15	1E6-17843-00-00	BUSH, DRVN GR OUTER	1	
16	90109-06418-00	BOLT	1	
17	90430-06014-00	GASKET	1	
18	91316-06025-00	BOLT	3	
19	2J2-11197-00-00	PLUG, BLIND	1	
20	90340-14038-00	PLUG, STRAIGHT SCRW	2	
21	90430-14043-00	GASKET	2	
22	583-11186-00-00	COVER, CYLINDER. HEAD 2 ..	2	BLACK
23	93210-49296-00	O-RING	2	
24	91316-06018-00	BOLT, SOCKET HEAD	4	
25	NGK-BP6ES-00-00	NGK BP6ES 4PK (94701-00000-04)	1	U.R.
26	583-12288-00-00	CAM, DCOMP	1	
27	90508-16303-00	SPRING, TORSION	1	
28	90109-06418-00	BOLT	1	

CONTINUED ON NEXT FRAME ►

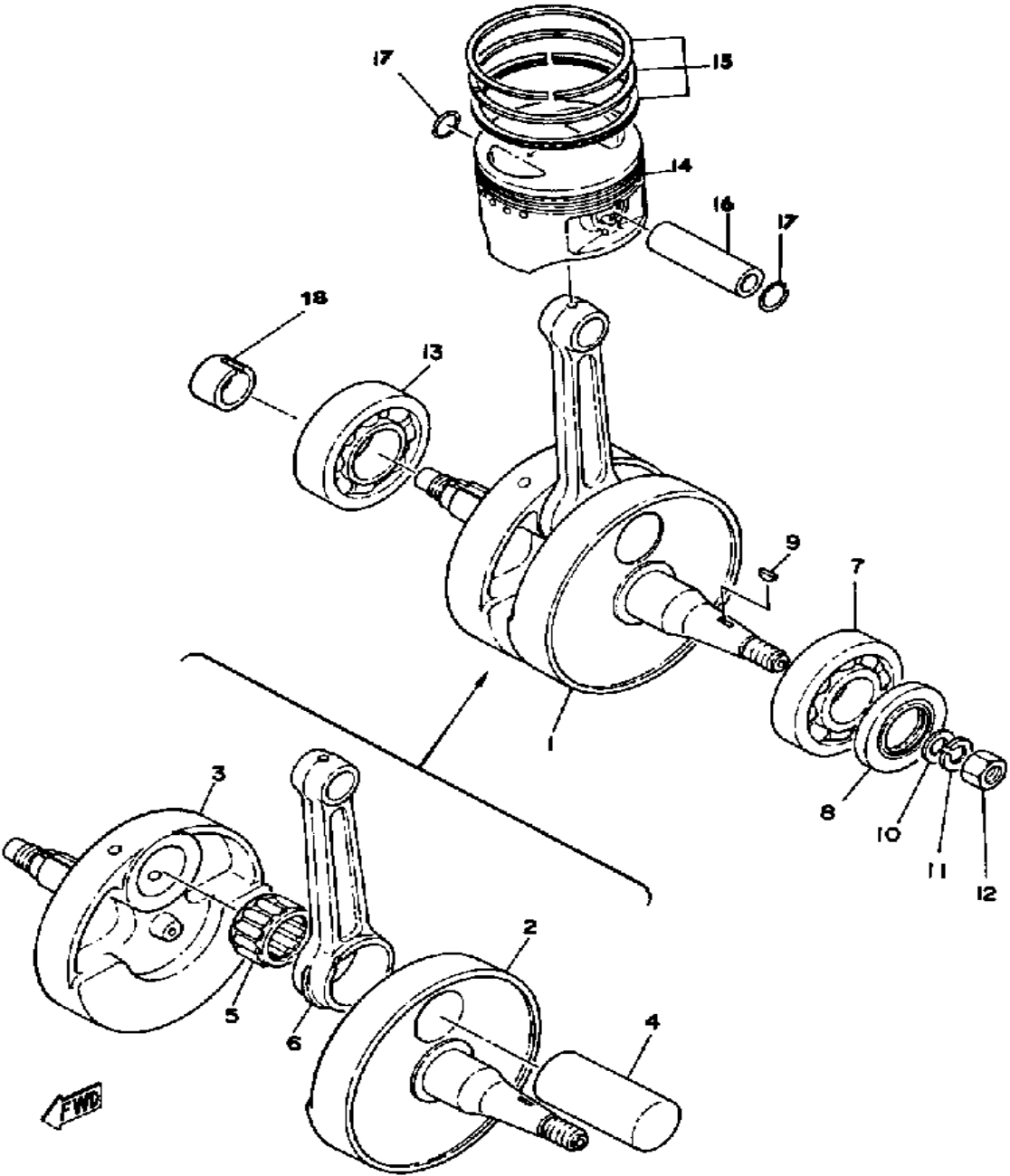
CYLINDER HEAD



Ref. No.	Part Number	Description	Qty	Remarks
29	90430-06014-00	GASKET	1	
30	583-12283-00-00	BRACKET, DCOMP	1	
31	93104-12054-00	OIL SEAL, SO-TYPE	1	

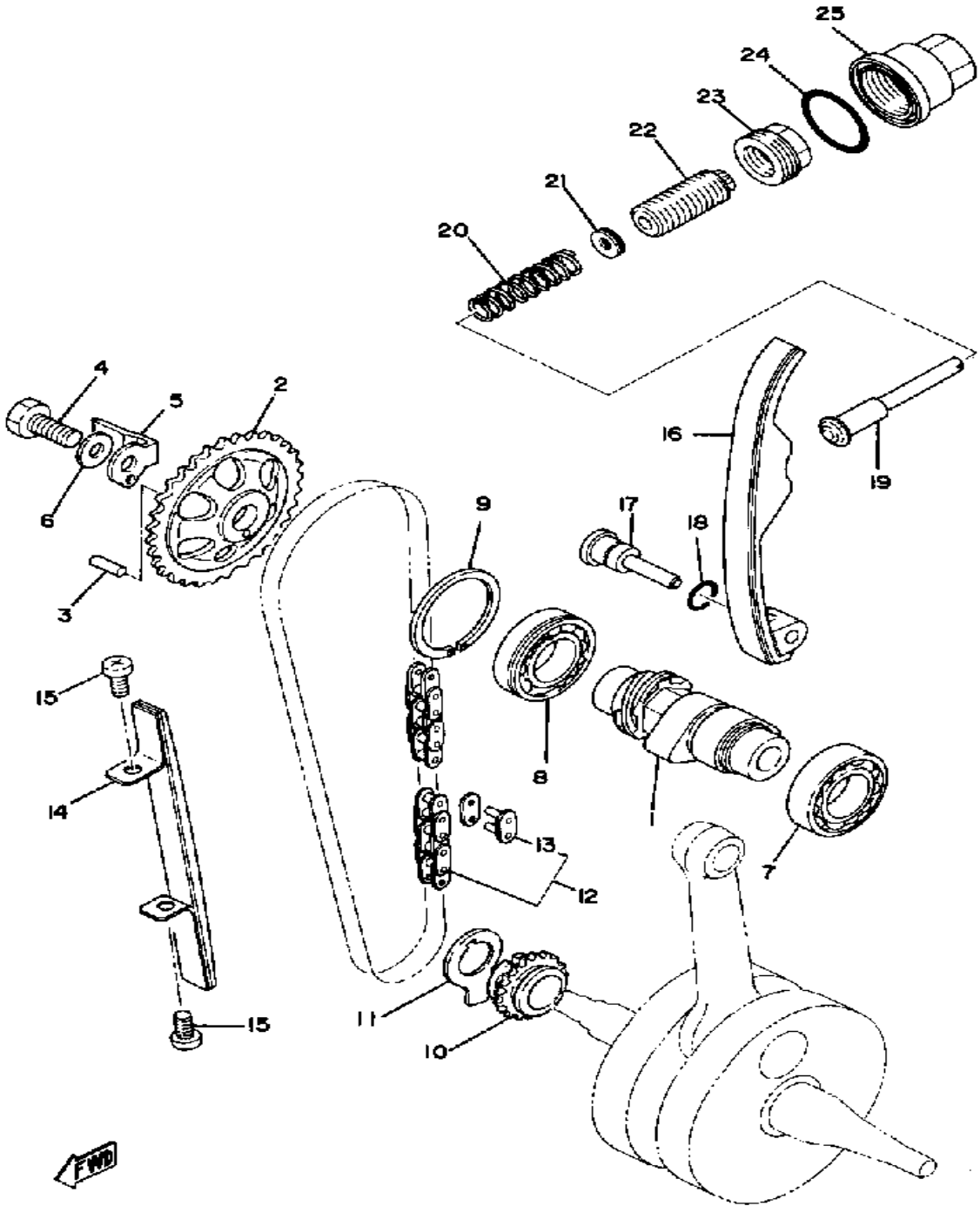
Bore/Stroke/Number Cylinders/Displacement (cc)	87mm / 84mm / 1 / 496cc
Compression Ratio/Compression Pressure min ~ max	9.0: 1 / 9.5 ~ 10.5 kg/cm ²

CRANKSHAFT - PISTON



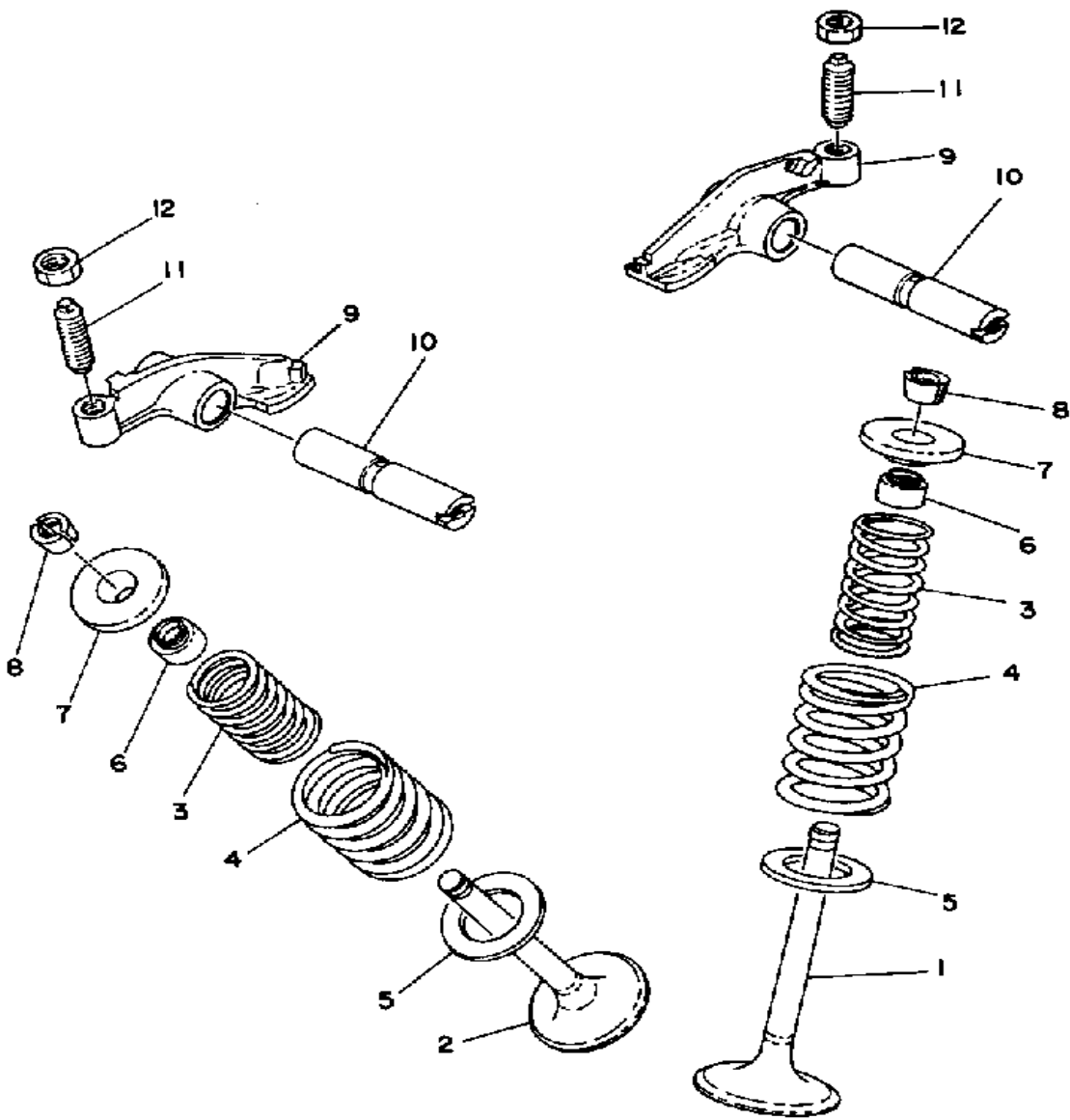
Ref. No.	Part Number	Description	Qty	Remarks
1	(583-11400-00-00)	CRANKSHAFT ASSEMBLY ...	1	
2	(583-11412-00-00)	CRANK 1	1	
3	(583-11422-00-00)	CRANK 2	1	
4	583-11681-00-00	. PIN, CRANK 1	1	
5	93310-635A5-00	. BEARING, CYLINDER.# 0 ...	1	
6	583-11651-00-00	. ROD, CONNECTING	1	
7	93306-30630-00	BEARING	1	
8	93102-30145-00	OIL SEAL, SD-TYPE	1	
9	90280-16053-00	KEY, WOODRUFF	1	
10	90201-12593-00	WASHER, PLATE	1	
11	92901-12100-00	WASHER, SPRING	1	
12	90170-12347-00	NUT, HEXAGON	1	
13	93306-30702-00	BEARING (B6307)	1	
14	583-11631-02-95	PISTON STD	1	
	583-11635-02-00	PISTON 1 O/S 0.5	1	ALTERNATE PART
	583-11636-02-00	PISTON 2 O/S 0.0	1	ALTERNATE PART
	583-11637-02-00	PISTON 3 O/S 0.5	1	ALTERNATE PART
	583-11638-02-00	PISTON 4 O/S 1.0	1	ALTERNATE PART
15	583-11610-02-00	PISTON RINGSET STD (583-11610-01)	1	
	583-11610-12-00	PISTON RINGSET 1ST (583-11610-11)	1	ALTERNATE PART
	583-11610-22-00	PISTON RINGSET 2ND (583-11610-21)	1	ALTERNATE PART
	583-11610-32-00	PISTON RINGSET 3RD (583-11610-31)	1	ALTERNATE PART
	583-16111-00-00	GEAR, PRI DRIVE	1	ALTERNATE PART
16	11H-11633-00-00	PIN, PISTON (583-11633-00) ..	1	
17	93450-22027-00	CIRCLIP	2	
18	90387-20644-00	COLLAR	1	

CAMSHAFT - CHAIN



Ref. No.	Part Number	Description	Qty	Remarks
1	583-12171-01-00	CAMSHAFT 1	1	
2	583-12176-00-00	SPROCKET, CAM CHAIN	1	
3	93604-16092-00	PIN, DOWEL	1	
4	90101-10303-00	BOLT	1	
5	1T1-12279-00-00	PLATE	1	
6	90201-10774-00	WASHER, PLATE	1	
7	93306-00501-00	BEARING (B6005)	1	
8	93306-00519-00	BEARING	1	
9	93440-47044-00	CIRCLIP, OUTER	1	
10	583-11549-00-00	SPROCKET, CAM CHAIN	1	
11	583-11533-00-00	PLATE, ABSORBER	1	
12	94500-02106-00	CHAIN	1	
13	94600-02001-00	. JOINT, CHAIN (BF05M)	1	
14	583-12231-00-00	GUIDE, STOPPER 1	1	
15	98503-06014-00	SCREW, PAN HEAD (92502-06016)	2	
16	341-12241-03-00	GUIDE, STOPPER 2	1	
17	583-12247-00-00	SHAFT, TENSIONER	1	
18	93210-12152-00	O-RING	1	
19	583-12217-00-00	ROD, CHN TENSIONER	1	
20	90501-14095-00	SPRING, COMPRESSION	1	
21	2H0-12232-00-00	DAMPER	1	
22	90149-18191-00	SCREW, SPEC'L SHAPE	1	
23	90179-18199-00	NUT, SPEC'L SHAPE	1	
24	93210-32172-00	O-RING	1	
25	583-12212-00-00	CASE, CHAIN TENSNR	1	

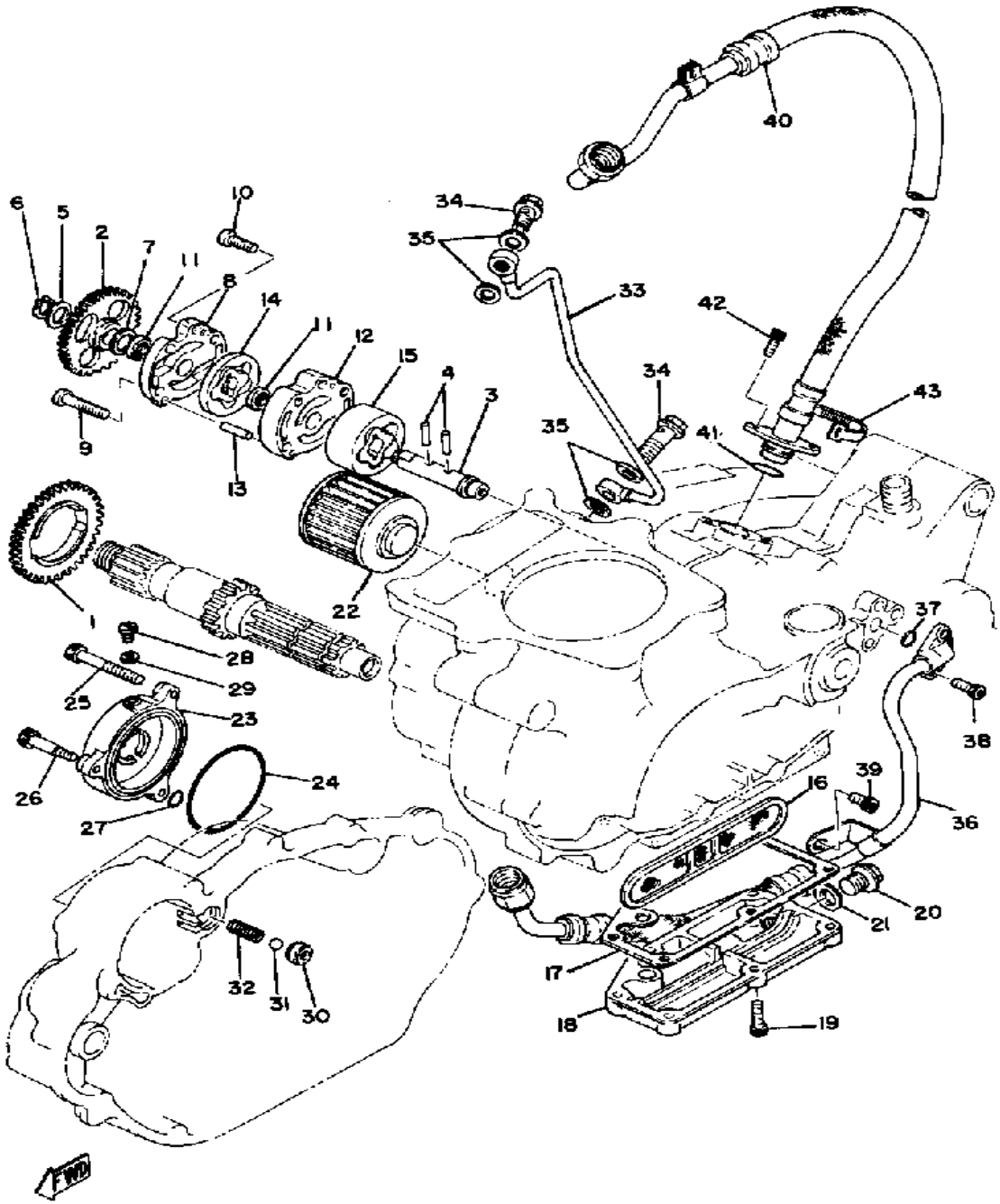
VALVE



Ref. No.	Part Number	Description	Qty	Remarks
1	2J2-12111-01-00	VALVE, INTAKE 1	1	
2	583-12121-00-00	VALVE, EXHAUST	1	
3	90501-31454-00	SPRING, COMPRESSION	2	
4	90501-44455-00	SPRING, COMPRESSION	2	
5	256-12116-01-00	SEAT, VALVE SPRING	2	
6	341-12119-02-00	SEAL, VALVE STEM	2	
7	256-12117-02-00	RETAINER, VALVE SPR	2	
8	341-12118-00-00	COTTER, VALVE	4	
9	583-12151-00-00	ARM, VALVE ROCKER	2	
10	583-12156-01-00	SHAFT, ROCKER	2	
11	90149-08098-00	SCREW, SPEC'L SHAPE	2	
12	90170-08173-00	NUT, HEXAGON	2	

FWD

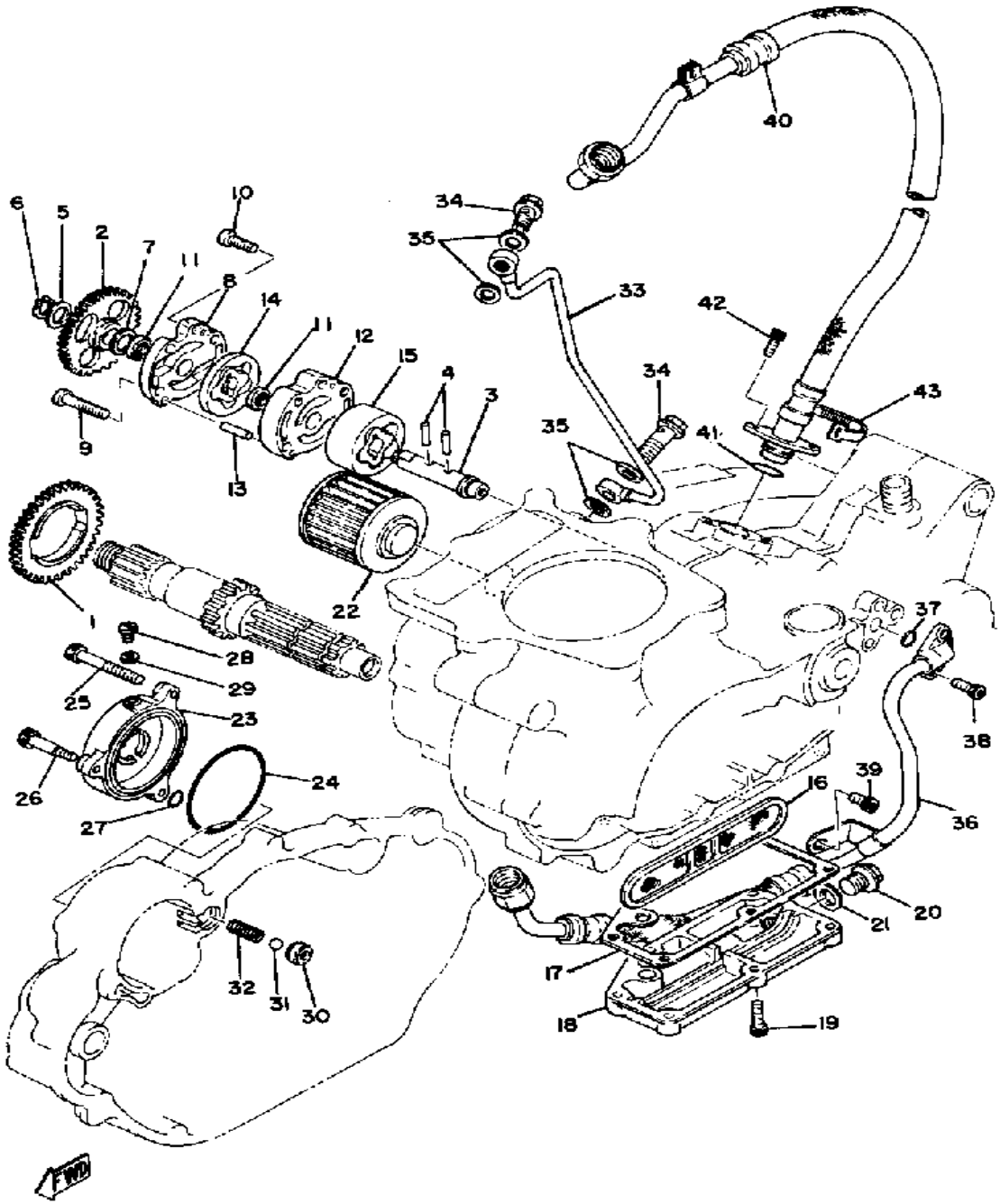
OIL PUMP - OIL CLEANER



Ref. No.	Part Number	Description	Qty	Remarks
1	583-13324-00-00	GEAR, PUMP DRIVE	1	
2	583-13325-00-00	GEAR, PUMP DRIVEN	1	
3	583-13314-00-00	SHAFT, PUMP	1	
4	93603-17070-00	PIN, DOWEL	2	
5	90201-10119-00	WASHER, PLATE	1	
6	99009-10400-00	CIRCLIP	1	
7	90201-12166-00	WASHER, PLATE	1	
8	98580-06018-00	. SCREW, PAN HEAD	2	
	99999-00996-00	. CVR/HOUSING COMP	1	
9	98580-06030-00	SCREW PAN HEAD	3	
10	98580-06018-00	SCREW, PAN HEAD	2	
11	93104-11038-00	OIL SEAL, SO-TYPE	2	
12	98580-06018-00	. SCREW, PAN HEAD	2	
	99999-00996-00	. CVR/HOUSING COMP	1	
13	93604-22050-00	PIN, DOWEL	2	
14	583-13310-01-00	ROTOR ASSEMBLY 1	1	
15	583-13320-00-00	ROTOR ASSEMBLY 2	1	
16	583-13411-00-00	STRAINER, OIL	1	
17	583-13414-00-00	GASKET, STRNR COVER	1	
18	583-13417-01-00	COVER, STRAINER	1	
19	91316-06020-00	BOLT, SOCKET HEAD	6	
20	3VD-13455-00-00	PLUG	1	
21	214-11198-01-00	GASKET	1	
22	4X7-13419-00-00	PLUG	1	
23	583-13447-01-00	COVER, OIL ELEMENT	1	
24	93210-64297-00	O-RING	1	
25	91316-06060-00	BOLT	2	
26	90109-06511-00	BOLT	1	
27	93210-07438-00	O-RING	1	

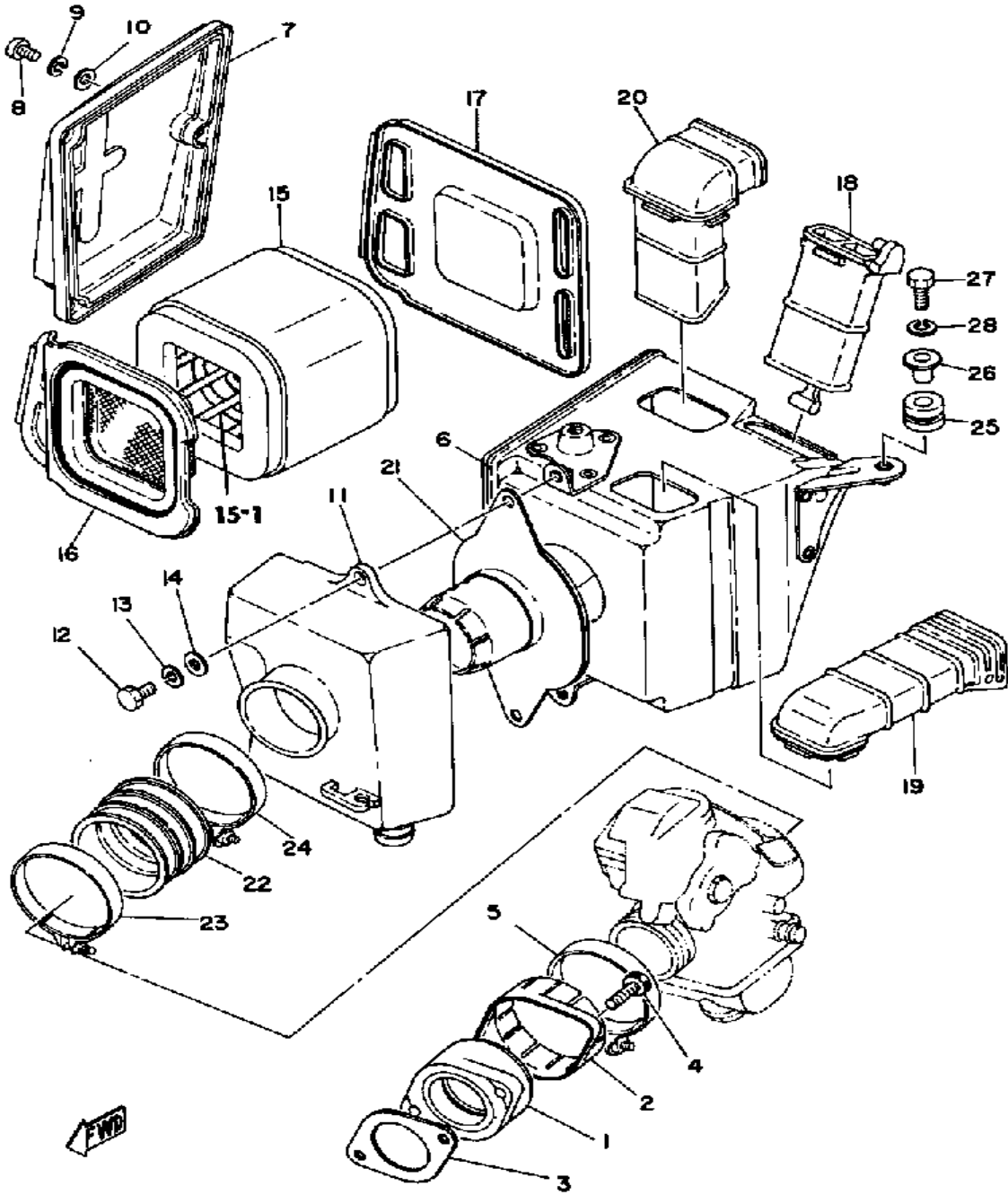
CONTINUED ON NEXT FRAME ►

OIL PUMP - OIL CLEANER



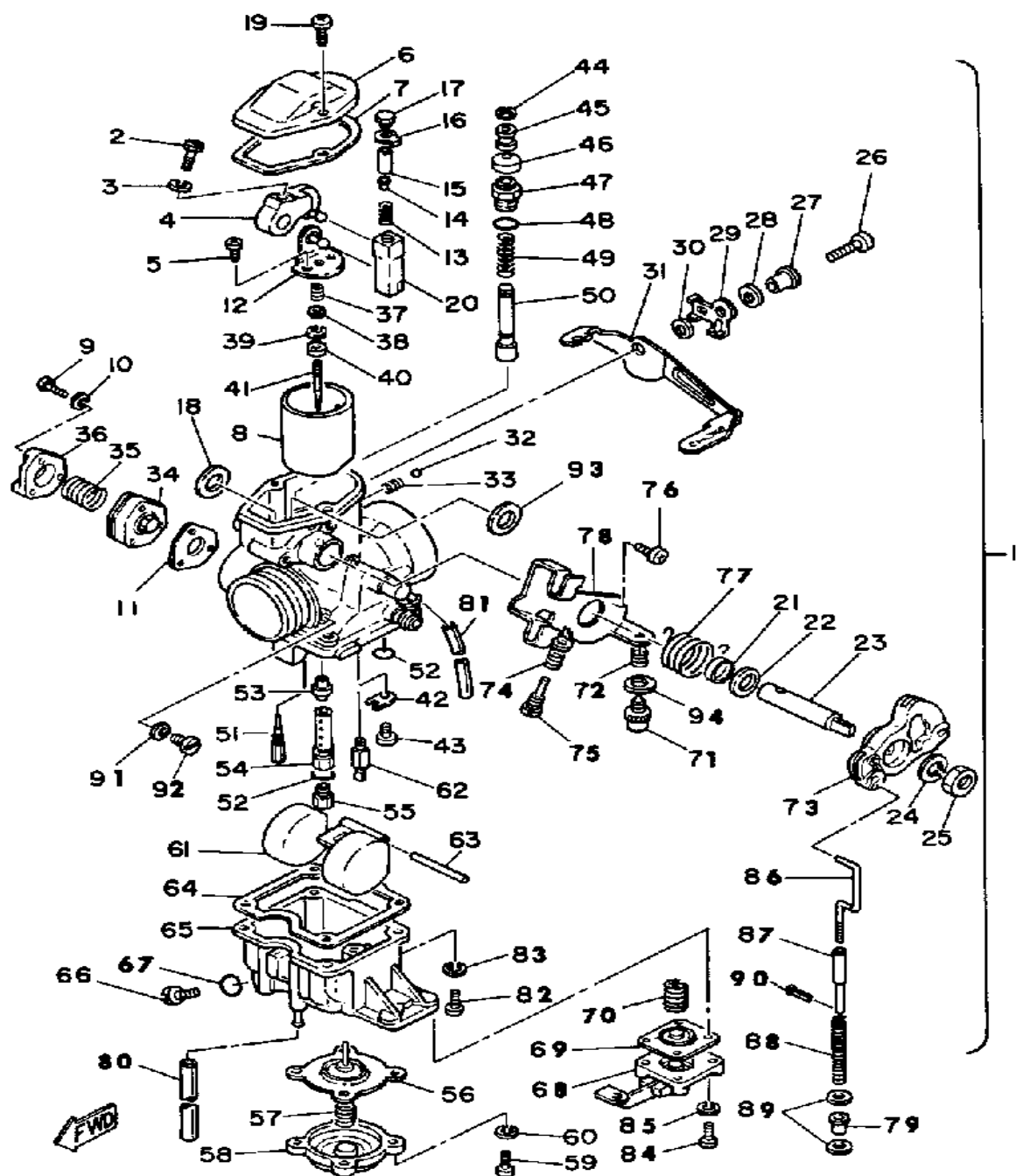
Ref. No.	Part Number	Description	Qty	Remarks
28	90149-05110-00	SCREW	1	
29	90430-05126-00	GASKET	1	
30	583-13113-00-00	SEAT, CHECK BALL	1	
31	93503-08007-00	BALL	1	
32	90501-05378-00	SPRING, COMPRESSION	1	
33	583-13161-01-00	PIPE, DELIVERY 1	1	
34	90401-08038-00	BOLT, UNION	2	
35	90201-08087-00	WASHER, PLATE	4	
36	583-13464-00-00	HOSE, OIL 1	1	
37	93210-10197-00	O-RING	1	
38	91316-06016-00	BOLT, SOCKET HEAD	2	
39	91316-06012-00	BOLT, SOCKET HEAD	1	
40	583-13465-02-00	HOSE, OIL 2	1	
41	93210-15171-00	O-RING	1	
42	91316-06016-00	BOLT, SOCKET HEAD	2	
43	437-83936-01-00	BAND, SWITCH CORD	1	

INTAKE



Ref. No.	Part Number	Description	Qty	Remarks
1	583-13565-01-00	JOINT, CARBURETOR	1	
2	256-13564-00-00	COVER, CARB.JOINT	1	
3	583-13556-01-00	GASKET, MANIFOLD	1	
4	91316-06020-00	BOLT, SOCKET HEAD	2	
5	90460-58015-00	CLAMP, HOSE	1	
6	583-14411-01-00	CASE, AIR CLEANER 1	1	
7	583-14422-00-00	CAP, CLEANER CASE 2	1	
8	98580-05012-00	SCREW, PAN HEAD	3	
9	92990-05100-00	WASHER, SPRING	3	
10	92901-05600-00	WASHER, PLATE	3	
11	583-14421-00-00	CASE, AIR CLEANER 2	1	
12	97011-06020-00	BOLT	2	
13	92995-06100-00	WASHER, SPRING	2	
14	90201-061A5-00	WASHER, PLATE	2	
15	583-14451-09-00	ELEMENT, AIR CLNR	1	
16	583-14468-01-00	PLATE, ELEMENT FTNG	1	
17	583-14472-00-00	PLATE, ELEMENT	1	
18	(583-14437-00-00)	DUCT	1	
19	583-14431-00-00	SILENCER, INTAKE 1	1	
20	583-14441-00-00	SILENCER, INTAKE 2	1	
21	583-14485-00-00	PIPE, JOINT	1	
22	3H1-14453-00-00	JOINT, AIR CLNR 1	1	
23	90460-61063-00	CLAMP, HOSE (256-14455-00)	1	
24	90460-61063-00	CLAMP, HOSE (256-14455-00)	1	
25	90480-14023-00	GROMMET	2	
26	90387-07391-00	COLLAR	2	
27	97011-06025-00	BOLT (97001-06025)	2	
28	92995-06100-00	WASHER, SPRING	2	
15-1	583-14458-00-00	GUIDE, ELEMENT	1	

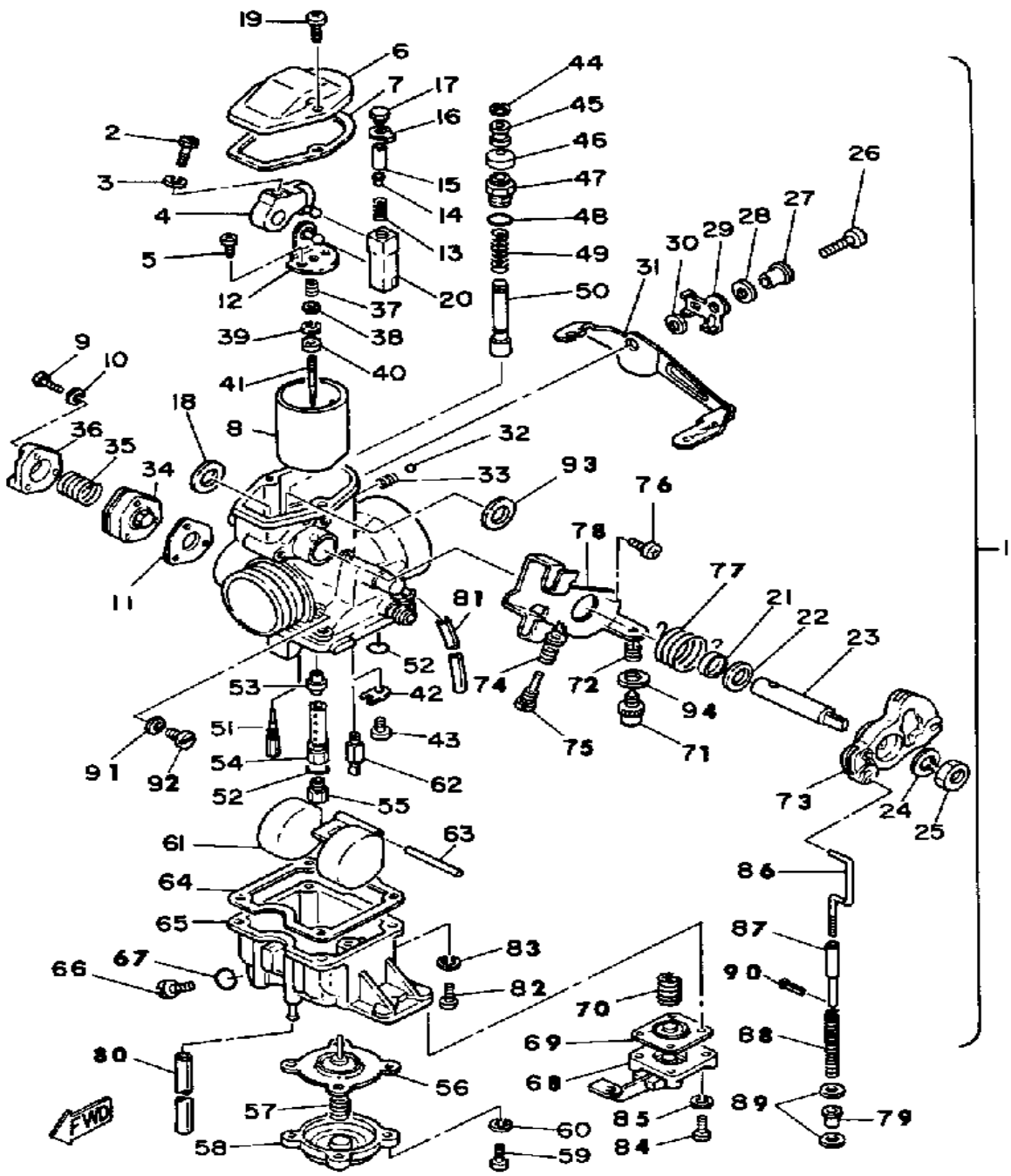
CARBURETOR



Ref. No.	Part Number	Description	Qty	Remarks
1	(3H6-14101-00-00)	CARBURETOR ASSEMBLY 1	1	
2	(2V0-14592-00-00)	SCREW	1	
3	92990-05100-00	. WASHER, SPRING	1	
4	(3H1-14292-00-00)	BRACKET 2	1	
5	98511-04012-00	. SCREW, PAN HEAD	2	
6	(3H1-14158-00-00)	TOP, MIXING CHAMBER	1	
7	583-14536-00-00	. GASKET	1	
8	(3H1-14112-35-00)	VALVE, THROTTLE 1	1	
9	98511-04025-00	. SCREW, PAN HEAD	3	
10	92901-04100-00	. WASHER, SPRING	3	
11	2H0-14198-00-00	. GASKET	1	
12	(3H1-14291-00-00)	BRACKET 1	1	
13	(1T2-14933-00-00)	SPRING, DIAPHRAGM	1	
14	(583-14558-00-00)	WASHER	1	
15	(583-14386-00-00)	PIN, FLOAT	1	
16	(583-14951-00-00)	WASHER	1	
17	(3H1-14216-00-00)	SCREW	1	
18	583-14264-00-00	. SPACER	1	
19	98503-04014-00	. SCREW, PAN HEAD	2	
20	(583-14274-00-00)	CONNECTOR	1	
21	583-14239-01-00	. SEAL	1	
22	583-14265-00-00	. COLLAR	1	
23	(3H1-14215-00-00)	SHAFT, THRTL LEVER	1	
24	92990-08100-00	. WASHER	1	
25	812-14594-00-00	. NUT	1	
26	(98502-06014-00)	SCREW, PAN HEAD	1	
27	2J2-14194-00-00	. RING	1	
28	2J2-14962-00-00	. WASHER	1	
29	2H0-14178-00-00	. PLATE, STARTER LVR	1	

CONTINUED ON NEXT FRAME ►

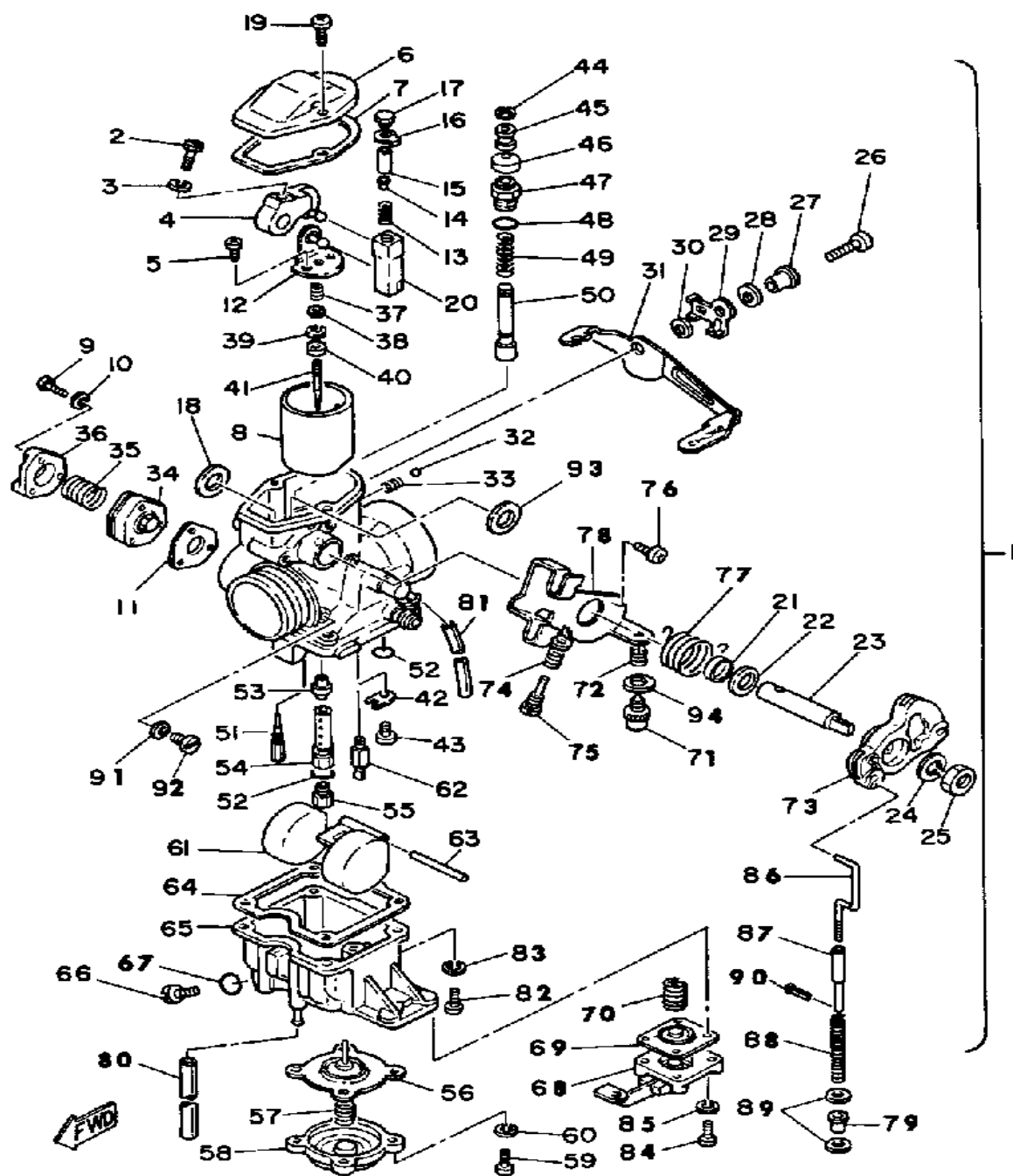
CARBURETOR



Ref. No.	Part Number	Description	Qty	Remarks
30	2H0-14218-00-00	. SPRING, CHOKE LEVER	1	
31	(3H6-14175-00-00)	LEVER, STARTER 1	1	
32	93501-08001-00	. BALL	1	
33	583-14589-00-00	. SPRING	1	
34	2H0-14217-00-00	. PUMP BODY ASSEMBLY.	1	
35	3H6-14933-00-00	. SPRING, DIAPHRAGM	1	
36	(2H0-14958-00-00)	COVER, DIAPHRAGM	1	
37	3H1-14589-00-00	. SPRING	1	
38	2N6-14227-01-00	. WASHER	1	
39	164-14137-00-00	. CLIP	1	
40	2N6-14918-01-00	. RING	1	
41	(644-14116-34-00)	NEEDLE	1	
42	2H0-14146-00-00	. PLATE	1	
43	98511-04006-00	. SCREW, PAN HEAD (98501-04005)	1	
44	737-14137-00-00	. CLIP	1	
45	583-14918-00-00	. RING	1	
46	(3H1-14173-00-00)	COVER, PLUNGER CAP	1	
47	2H0-14174-00-00	. CAP, PLUNGER	1	
48	583-14562-00-00	. O-RING	1	
49	256-14135-00-00	. SPRING, PLUNGER	1	
50	2H0-14171-00-00	. PLUNGER, STARTER	1	
51	3H1-14142-20-00	. JET, PILOT # 0	1	
52	583-14561-00-00	. O-RING	2	
53	2H0-14141-48-00	. NOZZLE, MAIN	1	
54	3H1-14148-00-00	. PIPE	1	
55	137-14143-50-A1	. JET, MAIN (#250)	1	
56	3H1-14940-00-00	. DIAPHRAGM ASSEMBLY	1	
57	3H1-14933-00-00	. SPRING, DIAPHRAGM	1	

CONTINUED ON NEXT FRAME ►

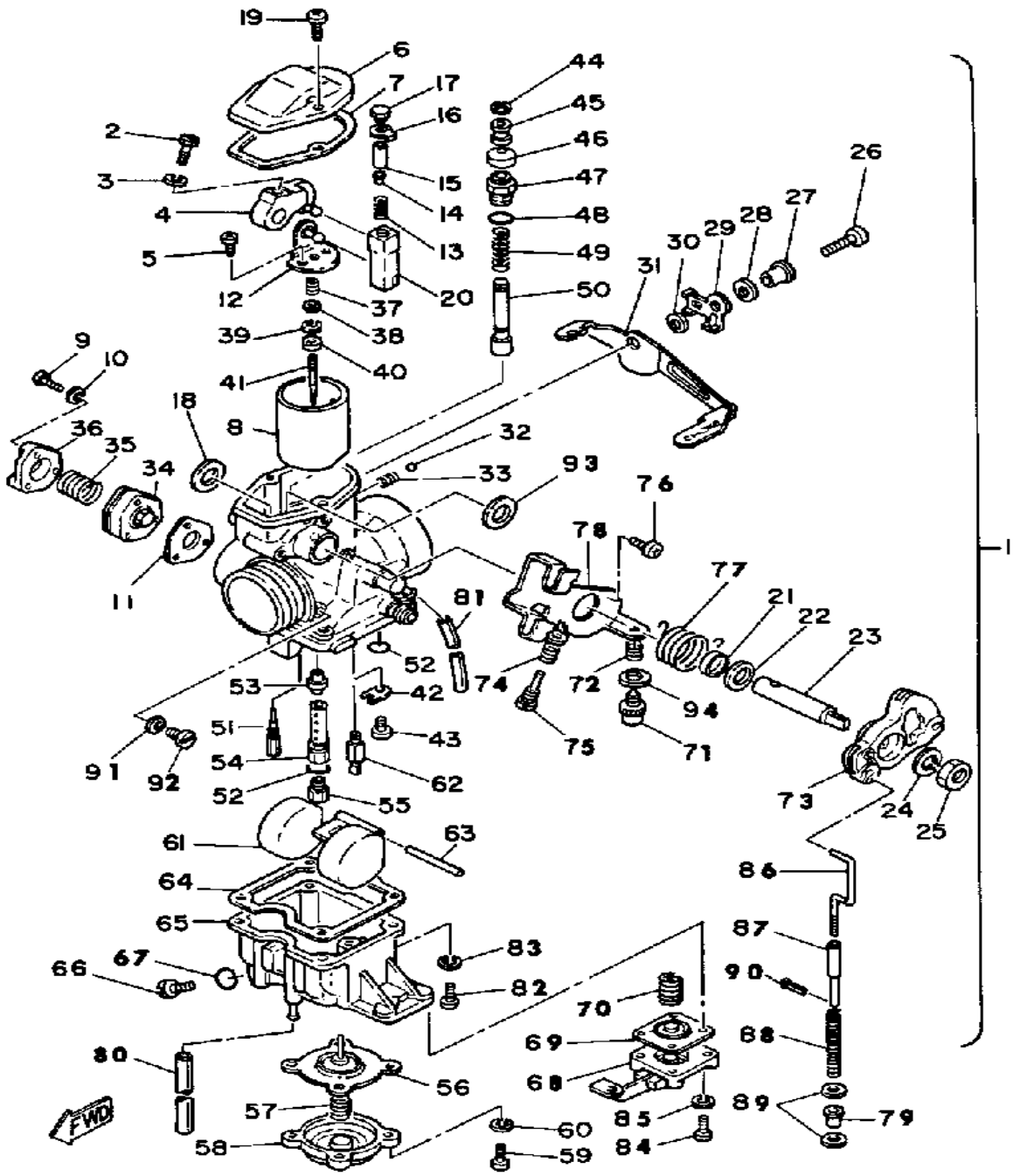
CARBURETOR



Ref. No.	Part Number	Description	Qty	Remarks
58	(3H1-14958-00-00)	COVER, DIAPHRAGM	1	
59	98503-04014-00	. SCREW, PAN HEAD	4	
60	92901-04100-00	. WASHER, SPRING	4	
61	3H1-14185-00-00	. FLOAT	1	
62	3H1-14190-28-00	. NEEDLE VALVE ASSEMBLY	1	
63	537-14186-00-00	. PIN, FLOAT	1	
64	3H1-14184-00-00	. GASKET, FLOAT CHMBR	1	
65	(99999-01147-00)	BODY CHAMBER ASSEMBLY	1	
66	2L1-14191-00-00	. PLUG, DRAIN	1	
67	214-14147-00-00	. O-RING	1	
68	2H0-14905-00-00	. LEVER, STARTER	1	
69	2J4-14940-00-00	. DIAPHRAGM ASSEMBLY	1	
70	2J4-14589-00-00	. SPRING	1	
71	(2H6-14121-00-00)	SCREW, THRTL STOP	1	
72	2J2-14133-00-00	. SPRING, THROTTLE STOP	1	
73	3H1-14589-00-00	. SPRING	1	
74	583-14133-00-00	. SPRING, THRTL STOP	1	
75	583-14245-00-00	. SCREW, GUIDE	1	
76	98580-05012-00	. SCREW, PAN HEAD	2	
77	583-14131-01-00	. SPRING, THRTL VALVE	1	
78	3H1-14589-00-00	. SPRING	1	
79	2H0-14534-00-00	. COLLAR	1	
80	510-14197-00-00	. PIPE (43214-19700-00)	1	
81	90445-081F2-00	. HOSE	1	
82	98580-05016-00	. SCREW, PAN HEAD	4	
83	92990-05100-00	. WASHER, SPRING	4	
84	98511-04012-00	. SCREW, PAN HEAD	4	
85	92901-04100-00	. WASHER, SPRING	4	
86	3H1-14992-00-00	. ROD	1	

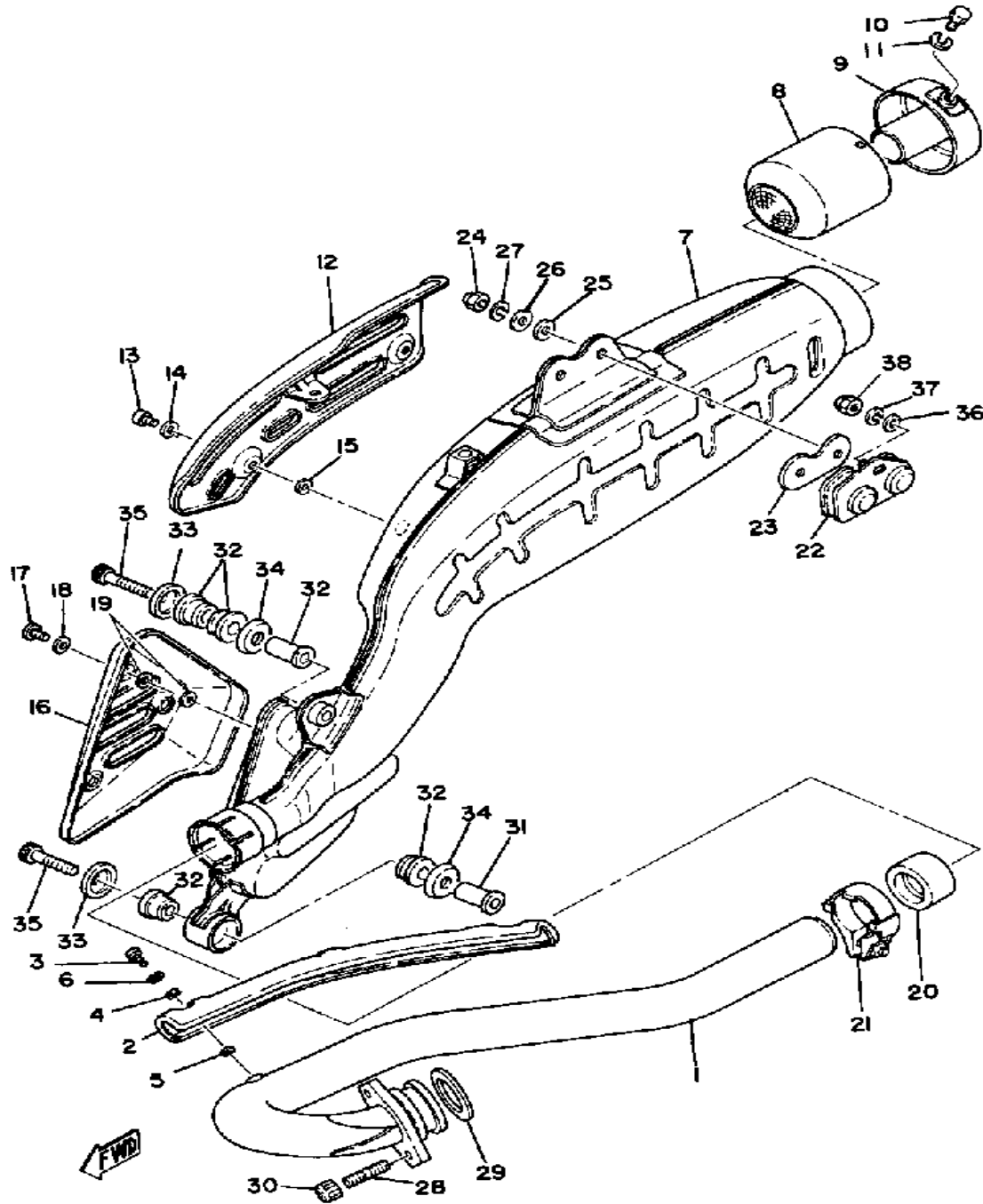
CONTINUED ON NEXT FRAME ►

CARBURETOR



Ref. No.	Part Number	Description	Qty	Remarks
87	2H0-14992-00-00	. ROD	1	
88	2J2-14589-00-00	. SPRING	1	
89	2H0-14227-00-00	. WASHER	2	
90	91401-10015-00	. PIN, COTTER	1	
91	584-14956-00-00	. WASHER	1	
92	2F5-14115-00-00	. PLUG, SCREW	1	
93	3H1-14227-00-00	. WASHER	1	
94	1A8-14953-00-00	. WASHER	1	
	3F9-14118-00-00	CAP	1	

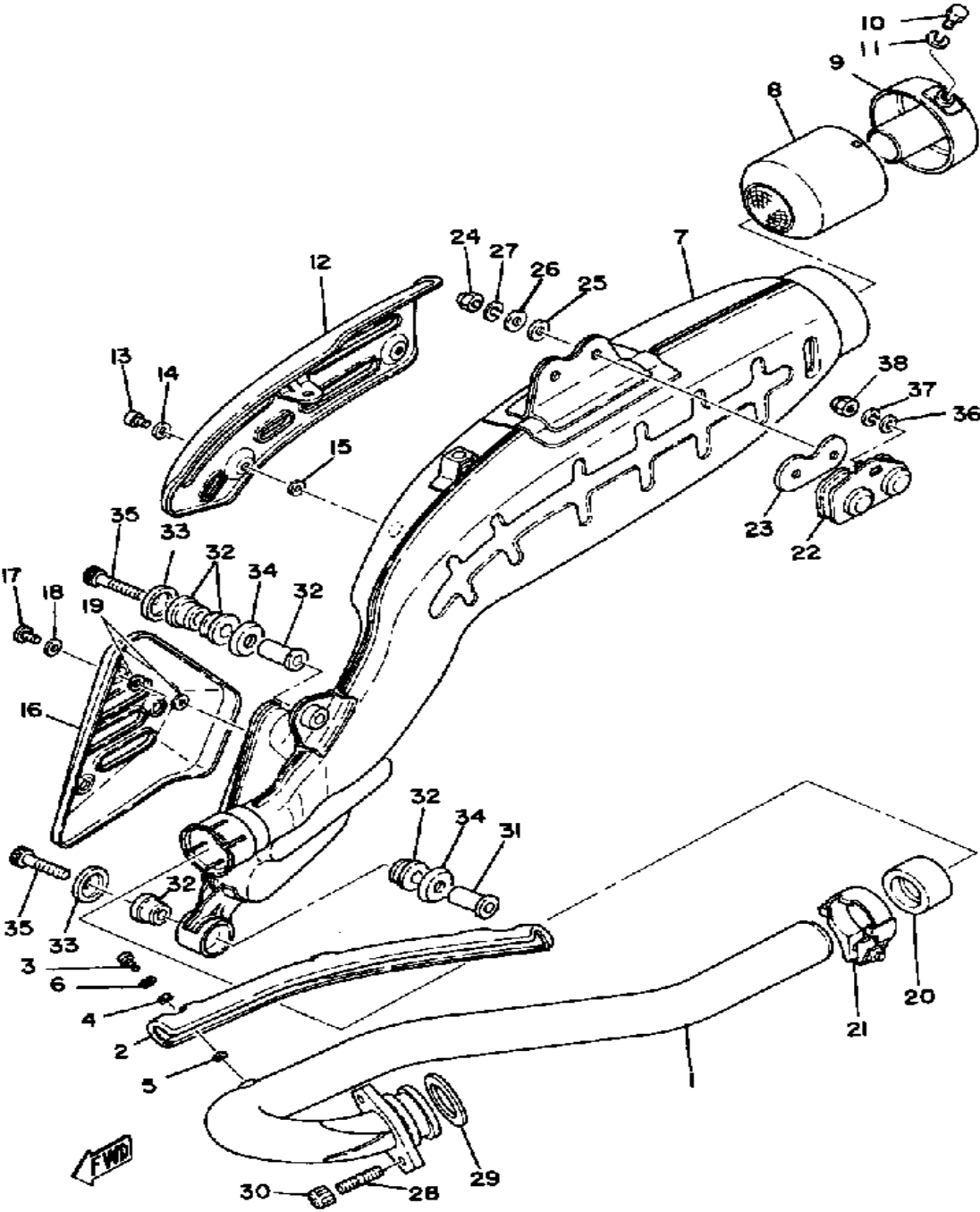
EXHAUST



Ref. No.	Part Number	Description	Qty	Remarks
1	1T1-14611-03-00	PIPE, EXHAUST L	1	
2	1T1-14628-00-00	PROTC, EXHAUST PIPE	1	
3	98906-06010-00	SCREW, BIND	2	
4	90202-05187-00	WASHER, PLATE	2	
5	3WX-14766-00-00	WASHER, PROTECTOR	2	
6	90206-06090-00	WASHER, WAVE	2	
7	(99999-01147-00)	BODY CHAMBER ASSEMBLY .	1	
8	1E6-14781-00-00	STAY, MUFFLER 2	1	
9	1T1-14752-01-00	PIPE, OUTLET	1	
10	97011-06010-00	BOLT	2	
11	92995-06100-00	WASHER, SPRING	2	
12	1T1-14718-00-00	PROTECTOR, MUFF 1	1	
13	98906-06010-00	SCREW, BIND	3	
14	90202-05187-00	WASHER, PLATE	3	
15	3WX-14766-00-00	WASHER, PROTECTOR	3	
16	1T2-14728-00-00	PROTECTOR, MUFF 2	1	
17	98906-06012-00	SCREW, BIND	3	
18	90202-05187-00	WASHER, PLATE	3	
19	3WX-14766-00-00	WASHER, PROTECTOR	6	
20	4X7-14714-00-00	GASKET, MUFFLER	11	
21	1T1-14788-00-00	BAND, SILENCER	1	
22	1T1-14791-02-00	STAY, MUFFLER	11	
23	1T1-14755-01-00	GASKET, SILENCER	1	
24	95611-08100-00	NUT, U	2	
25	90202-08103-00	WASHER, PLATE	2	
26	90201-08326-00	WASHER, PLATE	2	
27	92990-08100-00	WASHER	2	
28	95621-08615-00	BOLT, STUD	2	
29	90430-38054-00	GASKET	1	

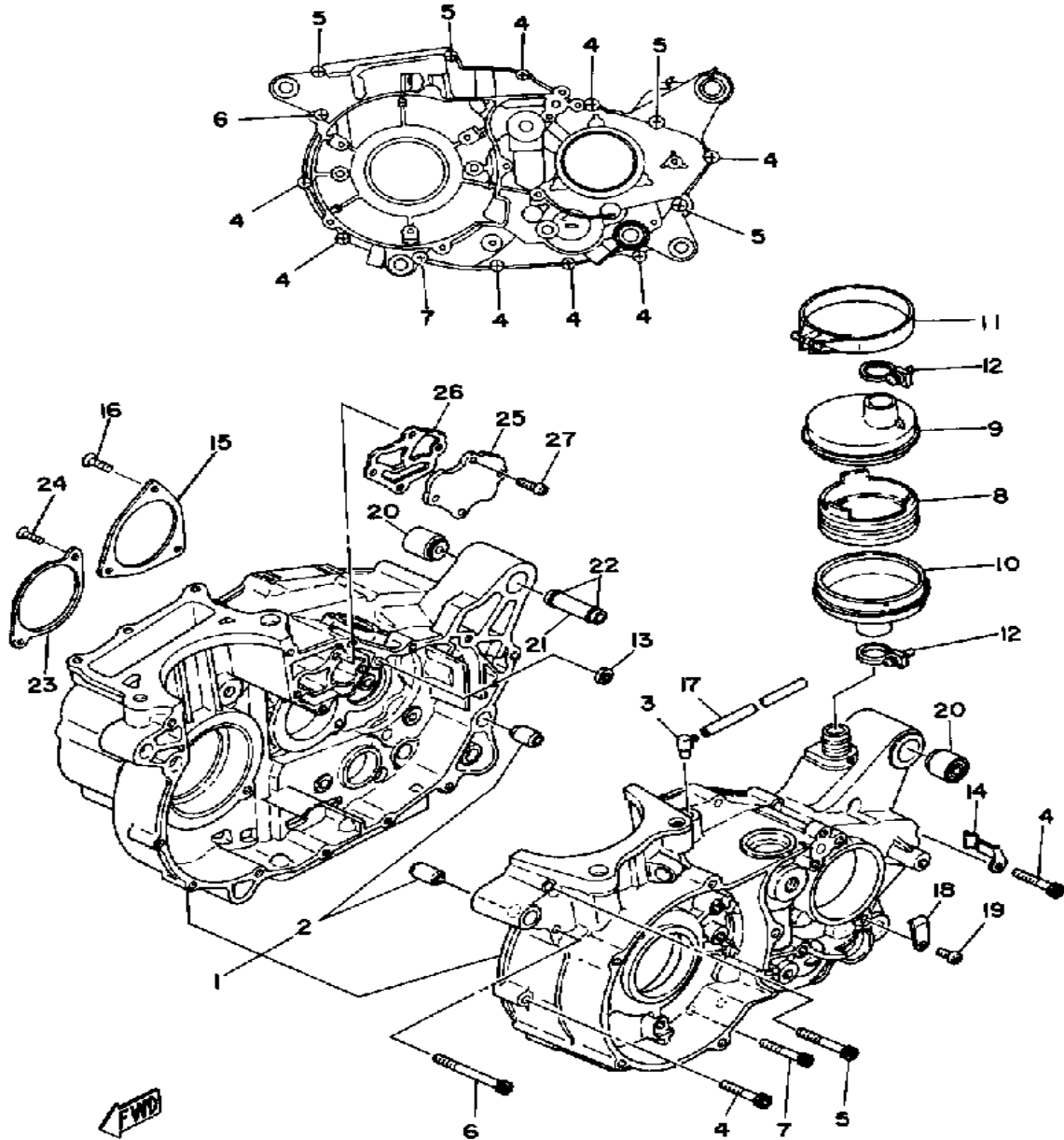
CONTINUED ON NEXT FRAME ►

EXHAUST



Ref. No.	Part Number	Description	Qty	Remarks
30	90179-08004-00	NUT	2	
31	90387-08572-00	COLLAR	2	
32	1T1-14747-01-00	DAMPER, MUFFLER	4	
33	90209-08098-00	WASHER, SPEC'L SHAP	2	
34	90209-12163-00	WASHER, SPEC'L SHAP	2	
35	91316-08050-00	BOLT	2	
36	92901-08600-00	WASHER	1	
37	92990-08100-00	WASHER	1	
38	95303-08800-00	NUT (CROWN) (95301-08800) .	1	

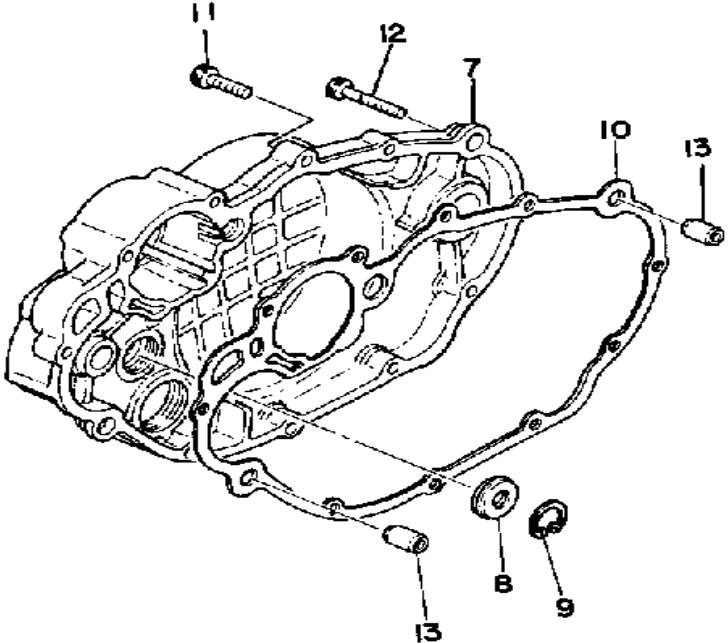
CRANKCASE



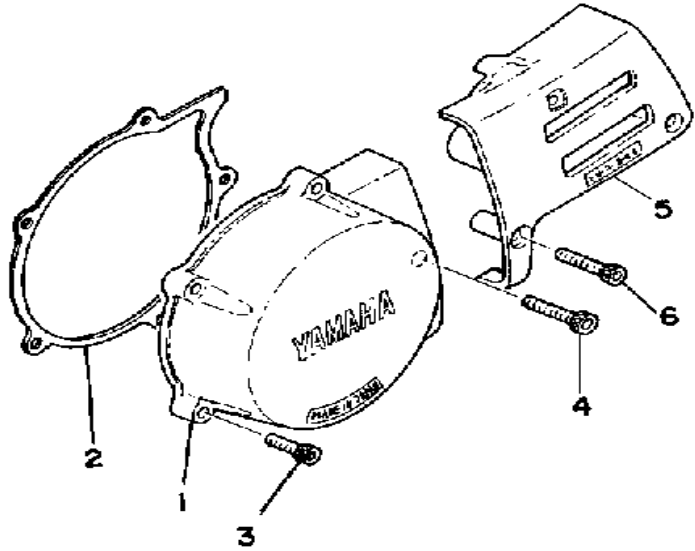
Ref. No.	Part Number	Description	Qty	Remarks
1	(2Y0-15100-01-00)	CRANKCASE ASSEMBLY.	1	
2	99510-12016-00	. PIN, DOWEL	2	
3	583-15371-00-00	BREATHER	1	
4	91316-06035-00	BOLT	8	
5	91316-06045-00	BOLT, SOCKET HEAD	4	
6	91316-06065-00	BOLT, SOCKET HEAD	1	
7	91316-06055-00	BOLT, SOCKET HEAD	1	
8	583-15358-00-00	SEPARATOR, OIL	1	
9	583-15346-00-00	BREATHER 1	1	
10	583-15347-00-00	BREATHER 2	1	
11	90460-71129-00	CLAMP, HOSE (90460-71017) .	1	
12	90460-22083-00	CLAMP, HOSE	2	
13	90430-09121-00	GASKET	1	
14	90465-08277-00	CLAMP	1	
15	(363-15411-00-00)	COVER, CRANKCASE L	1	
16	98701-05012-00	SCREW, FLAT HEAD	3	
17	90445-07039-00	HOSE	1	
18	90465-05128-00	CLAMP	1	
19	98580-06012-00	SCREW, PAN HEAD	1	
20	583-15316-00-00	DAMPER, ENG MOUNT 1	2	
21	583-15317-01-00	SPACER, ENG MOUNT	1	
22	93210-11313-00	O-RING	2	
23	583-15383-00-00	PLATE, BRNG COVER	1	
24	98701-06014-00	SCREW, FLAT HEAD	2	
25	583-15426-00-00	COVER, OIL PUMP R	1	
26	583-15466-00-00	GASKET 2	1	
27	98580-06018-00	SCREW, PAN HEAD	4	

Oiling System	Dry Sump
Capacity: Dry	2400cc
Oil and Filter Change	2100cc
Oil Change	2000cc
Lubricant:	Temp above 5°C (40°F)
	Below 15°C (60°F)
	Yamalube 4* or SAE 20W40SE
	Yamalube 4* or SAE 20W40SE

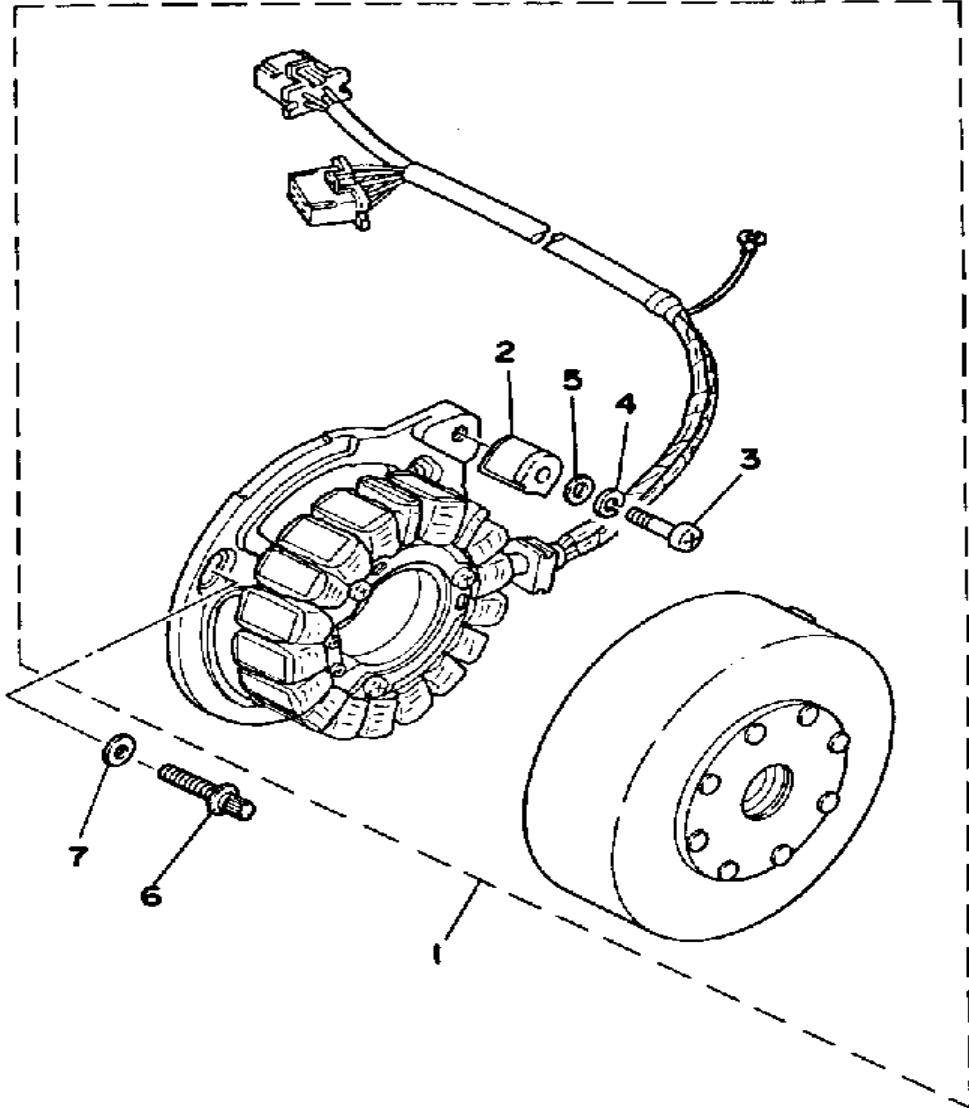
CRANKCASE COVER



Ref. No.	Part Number	Description	Qty	Remarks
1	583-15411-00-00	COVER, CRANKCASE L	1	
2	3HT-15451-00-00	GASKET, CRCS COVER	1	
3	91316-06025-00	BOLT	4	
4	91316-06035-00	BOLT	1	
5	583-15421-00-00	COVER, CRANKCASE R	1	
6	91316-06035-00	BOLT	3	
7	(3H6-15431-00-98)	COVER, CRANKCASE 3	1	LOW GLOSS BLK
8	93101-14089-00	OIL SEAL	1	
9	99009-25500-00	CIRCLIP	1	
10	3HT-15462-00-00	GASKET, CRCS CVR 3	1	
11	90110-06138-00	BOLT, HEX SKT HEAD	8	
12	91316-06040-00	BOLT, SOCKET HEAD	2	
13	99510-12016-00	PIN, DOWEL	2	



C - D - I - MAGNETO

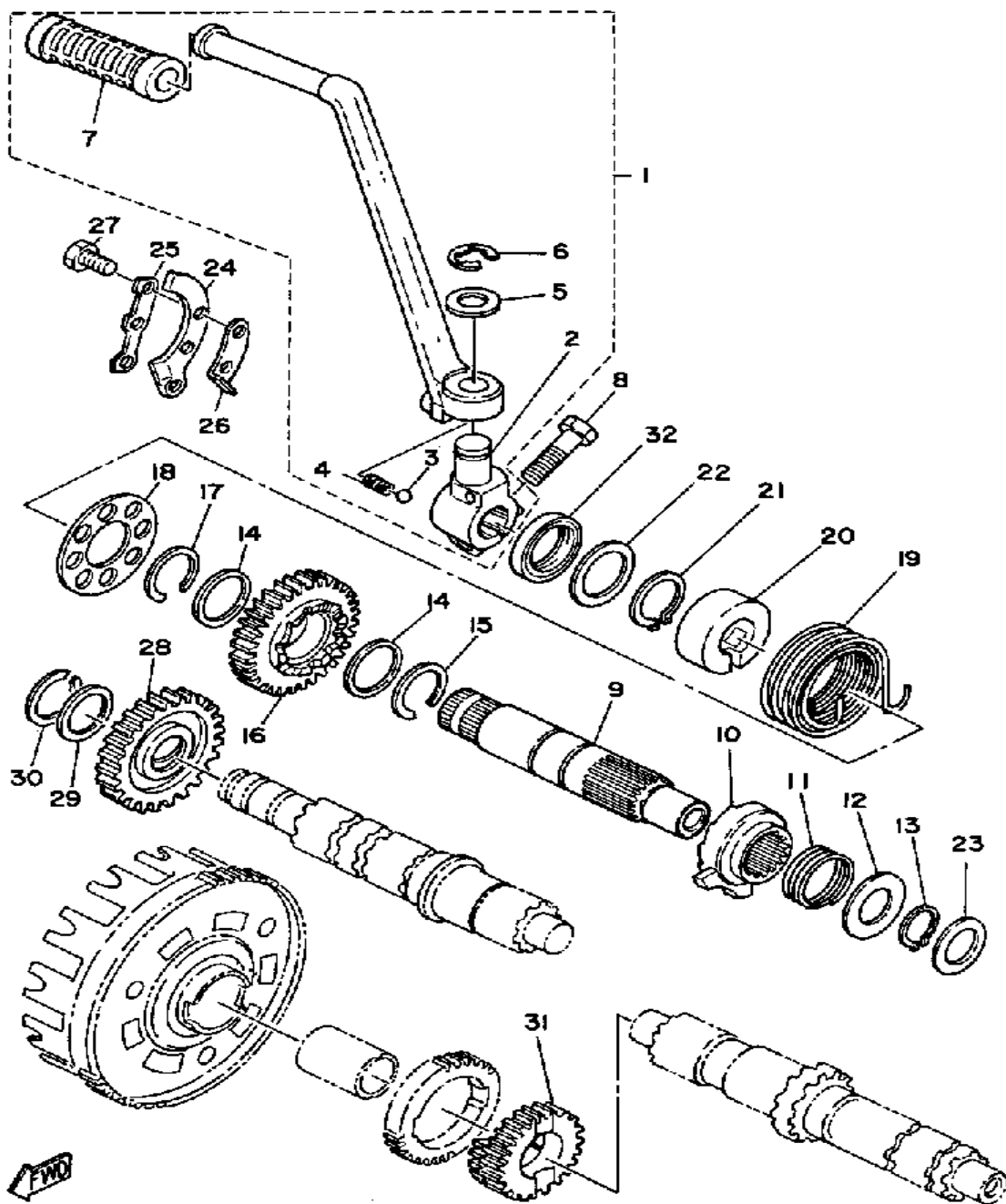


Ref. No.	Part Number	Description	Qty	Remarks
1	4R9-85500-50-00	CDI MAGNETO ASSEMBLY (3H6-85500-50)	1	
2	2J2-81416-50-00	. COIL, PULSER	1	
3	98580-05035-00	. SCREW, PAN HEAD	1	
4	92990-05100-00	. WASHER, SPRING	1	
5	92901-05600-00	. WASHER, PLATE	1	
6	3J3-81674-00-00	BOLT	3	
7	90201-06643-00	WASHER, PLATE	3	

IGNITION SYSTEM	
Source Coil Color Code / Ω	Capacitor Discharge Ignition
Lighting Coil Color Code / Ω	Lo: Brn-Blk / $381 \Omega \pm 10\%$ Hi: Red-Blk / $390 \Omega \pm 10\%$
	Yel-Blk / $0.24 \pm 10\%$

FWD

STARTER

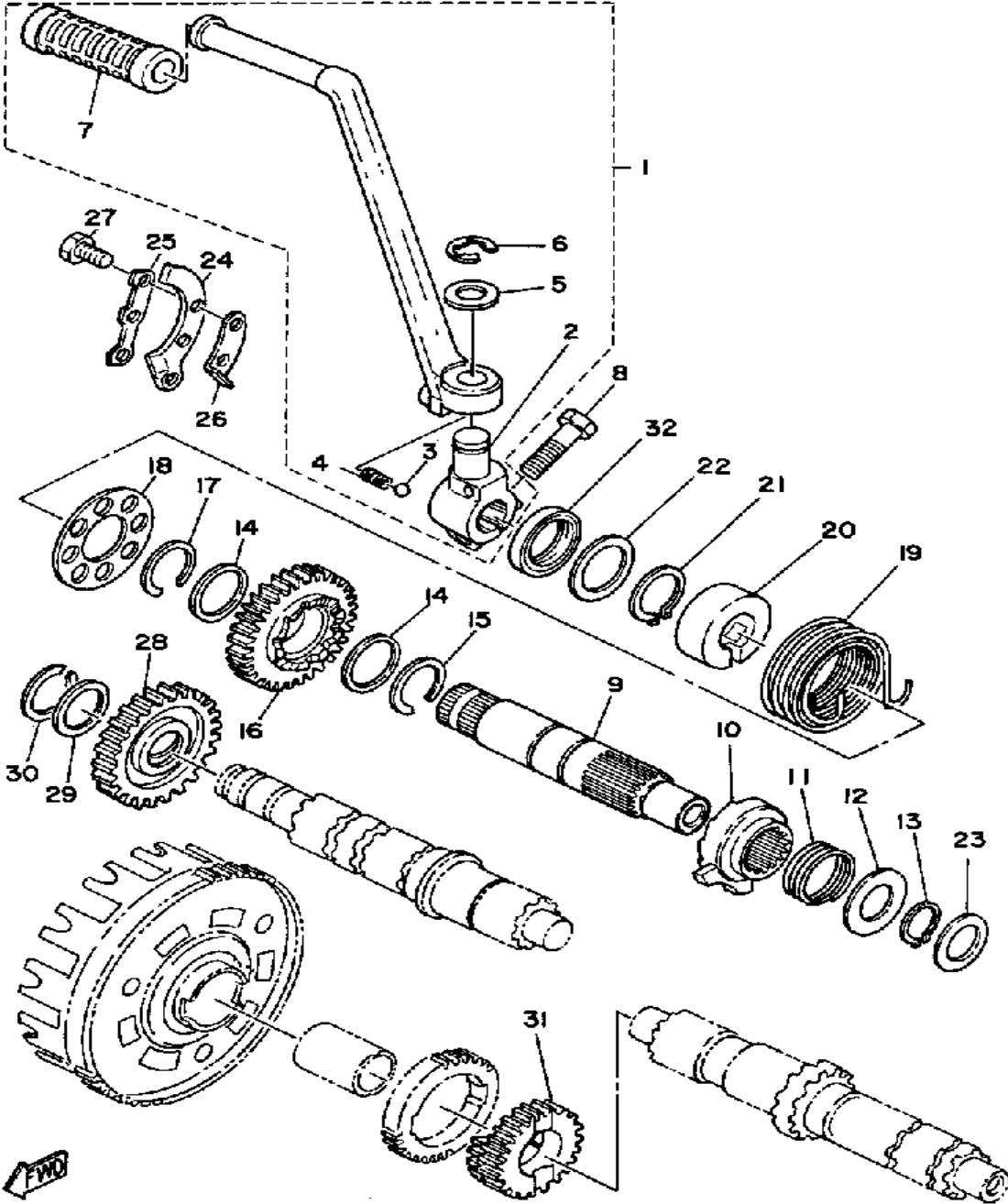


Ref. No.	Part Number	Description	Qty	Remarks
1	1JN-15610-00-00	KICK CRANK ASSEMBLY	1	
2	583-15621-00-00	. BOSS, KICK CRANK	1	
3	93507-32031-00	. BALL	1	
4	90501-12081-00	. SPRING, COMPRESSION	1	
5	90201-15234-00	. WASHER, PLATE	1	
6	99006-10600-00	. CIRCLIP	1	
7	1T1-15618-00-00	. COVER, KICK LEVER	1	
8	97313-08030-00	BOLT, HEXAGON	1	
9	583-15661-00-00	AXLE, KICK	1	
10	583-15671-00-00	WHEEL, RATCHET	1	
11	90501-21133-00	SPRING, COMPRESSION	1	
12	363-15676-00-00	COVER, SPRING	1	
13	99009-19400-00	CIRCLIP	1	
14	90201-253K0-00	WASHER, PLATE (T=1.0)	2	
15	93440-25020-00	CIRCLIP	1	
16	583-15641-00-00	GEAR, KICK	1	
17	93440-25084-00	CIRCLIP	1	
18	(583-15676-00-00)	COVER, SPRING	1	
19	90508-32280-00	SPRING, TORSION	1	
20	(90560-25154-00)	SPACER	1	
21	93410-25010-00	CIRCLIP, S-TYPE	1	
22	90201-256K6-00	WASHER, PLATE (0.9T)	1	
23	90201-20278-00	WASHER, PLATE	1	
24	583-15674-00-00	GUIDE, RATCHET WHL	1	
25	363-15686-00-00	WASHER, LOCK	1	
26	434-15668-00-00	STOPPER	1	
27	97011-06016-00	BOLT	3	
28	583-15651-00-00	GEAR, KICK IDLE	1	
29	90201-17255-00	WASHER, PLATE	1	

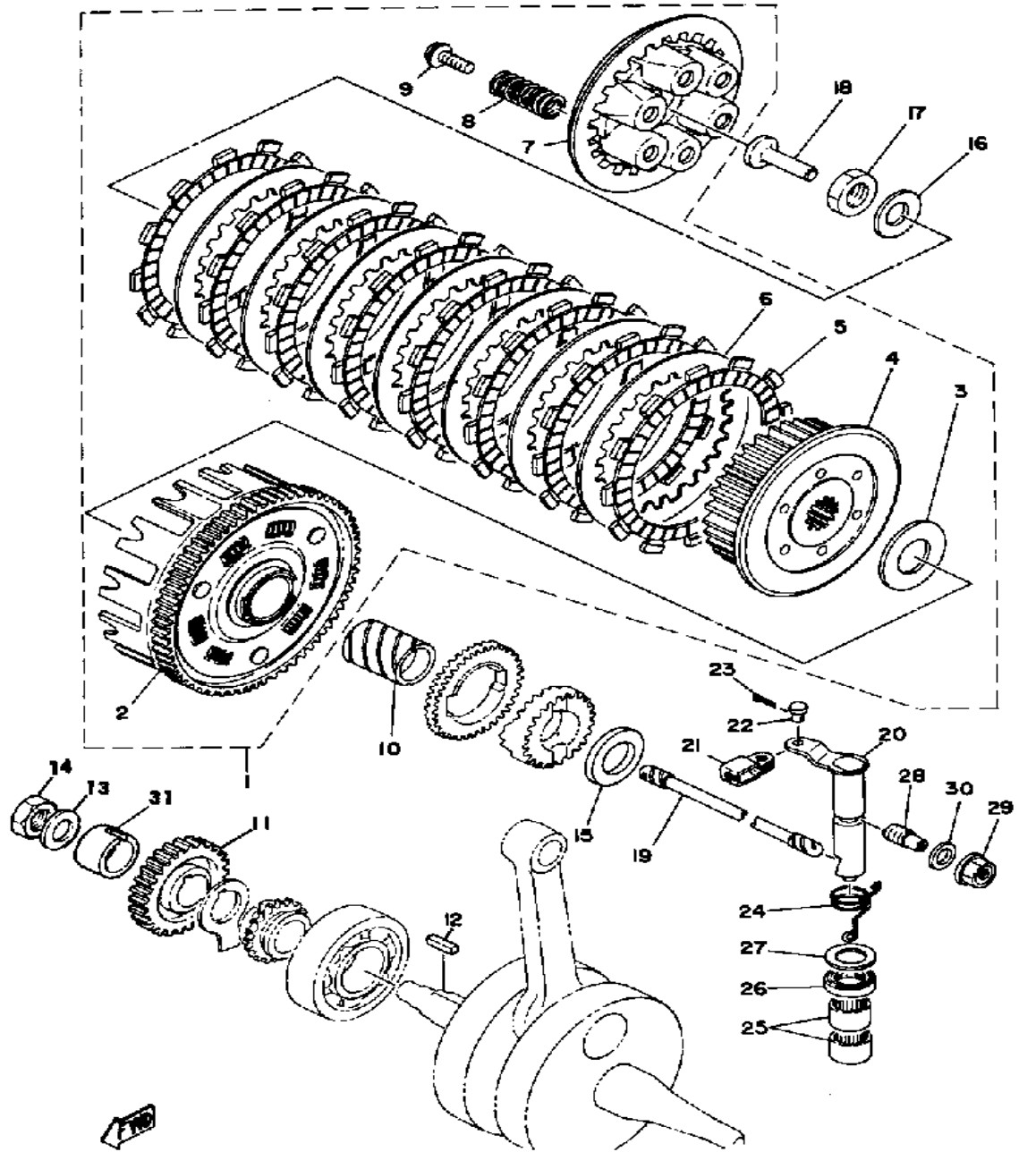
CONTINUED ON NEXT FRAME ►

STARTER

Ref. No.	Part Number	Description	Qty	Remarks
30	99009-17400-00	CIRCLIP	1	
31	583-15631-00-00	GEAR, KICK PINION	1	
32	93102-25064-00	OIL SEAL	1	



CLUTCH

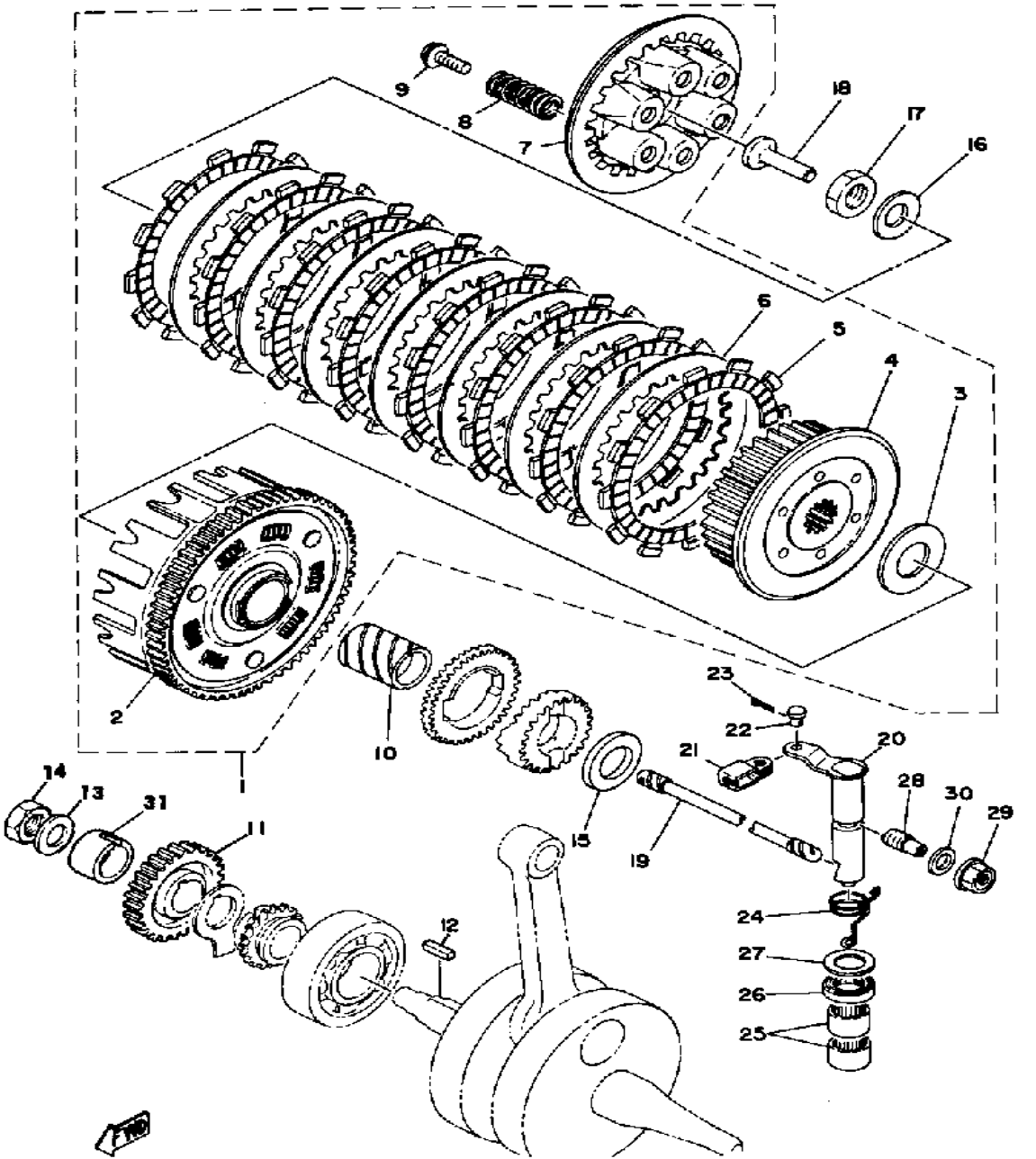


Clutch Friction Plate Thickness Std ~ min.	2.9mm ~ 2.5mm
Clutch Spring Length Std ~ min.	41.2mm ~ 40.0mm

Ref. No.	Part Number	Description	Qty	Remarks
1	(583-16301-00-00)	CLUTCH ASSEMBLY	1	
2	583-16150-00-00	. PRI DRVN GEAR	1	
3	170-16164-00-00	. PLATE, THRUST 2	1	
4	583-16371-00-00	. BOSS, CLUTCH	1	
5	5Y1-16321-00-00	. PLATE, FRICTION	8	
6	360-16325-00-00	. PLATE, CLUTCH 2	7	
7	498-16351-00-00	. PLATE, PRESSURE 1	1	
8	90501-23391-00	. SPRING, COMPRESSION	6	
9	90159-06010-00	. SCREW, WITH WASHER	6	
10	90560-25153-00	SPACER	1	
11	583-16111-00-00	GEAR, PRI DRIVE	1	
12	90282-07021-00	KEY, STRAIGHT	1	
13	90208-16019-00	WASHER, CONICAL SPRING	1	
14	90170-16182-00	NUT	1	
15	363-16154-00-00	PLATE, THRUST 1	1	
16	214-16119-00-00	SPRING, BELLEVILLE	1	
17	90170-18086-00	NUT, HEXAGON	1	
18	174-16356-00-00	ROD, PUSH 1	1	
19	583-16357-01-00	ROD, PUSH 2	1	
20	583-16381-00-00	AXLE, PUSH LEVER	1	
21	214-16389-00-00	JOINT	1	
22	90240-06005-00	PIN, CLEVIS	1	
23	91401-10015-00	PIN, COTTER	1	
24	90508-12279-00	SPRING, TORSION	1	
25	93315-11720-00	BEARING	2	
26	93102-17357-00	OIL SEAL	1	
27	90201-17327-00	WASHER, PLATE	1	
28	364-16343-00-00	SCREW, ADJUSTING	1	
29	583-16344-00-00	NUT, ADJUSTING	1	

CONTINUED ON NEXT FRAME ➤

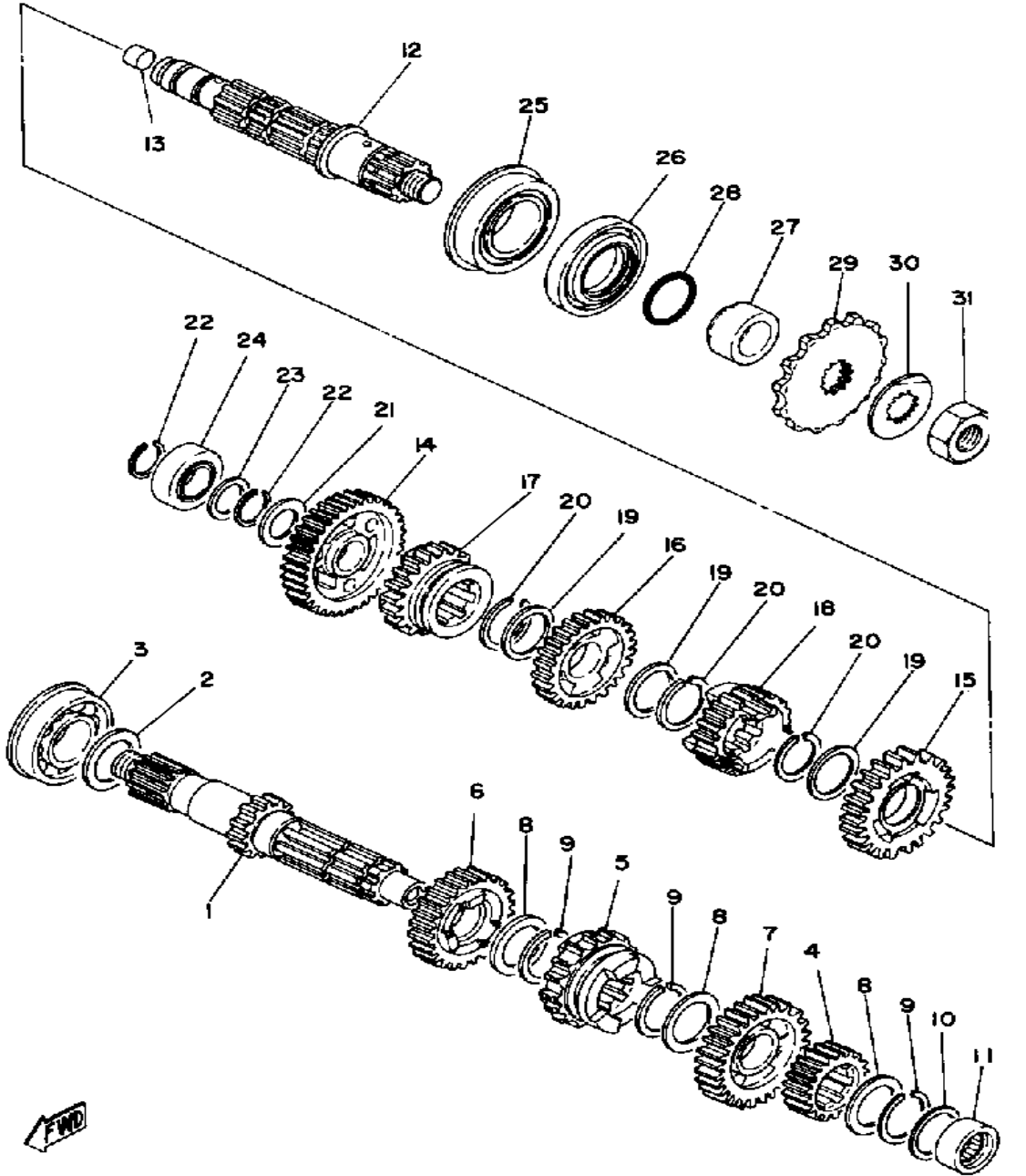
CLUTCH



Ref. No.	Part Number	Description	Qty	Remarks
30	90201-12172-00	WASHER, PLATE	1	
31	90387-20644-00	COLLAR	1	

Clutch Friction Plate Thickness Std ~ min.	2.9mm ~ 2.5mm
Clutch Spring Length Std ~ min.	41.2mm ~ 40.0mm

TRANSMISSION

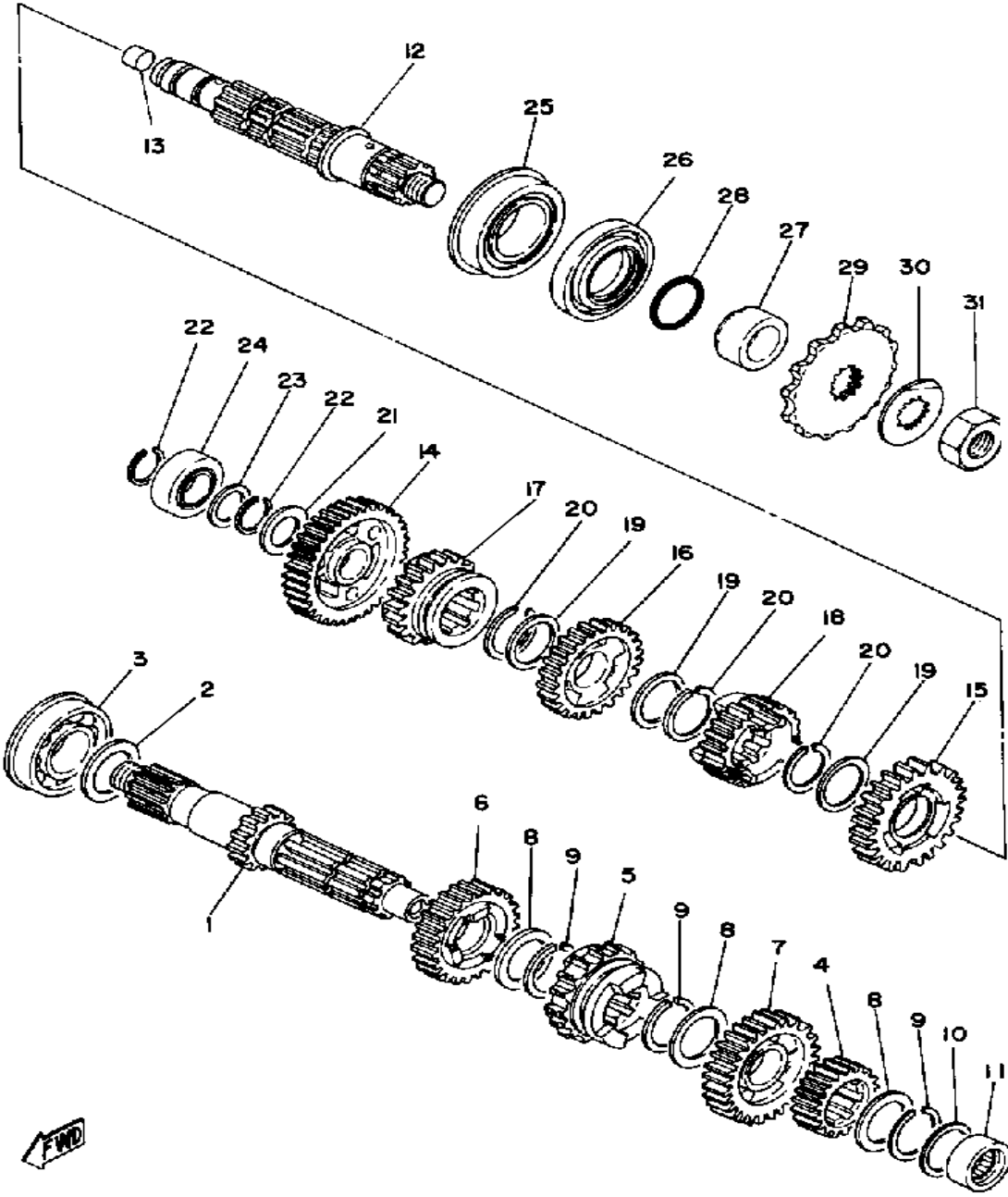


Primary Drive Type/Teeth/Ratio	Spur Gear / 77-30 / 2.566
Secondary Drive Type/Teeth/Chain	Chain / 44-16 / DID620DS-100L

Ref. No.	Part Number	Description	Qty	Remarks
1	583-17411-01-00	AXLE, MAIN	1	
2	168-17428-01-05	SHIM 2 (25-34-0.5)	1	
3	93304-20501-00	BEARING	1	
4	583-17121-00-00	GEAR, 2ND PINION	1	
5	583-17131-02-00	GEAR, 3RD PINION	1	
6	583-17141-00-00	GEAR, 4TH PINION	1	
7	583-17151-01-00	GEAR, 5TH PINION	1	
8	90201-253K0-00	WASHER, PLATE (T=1.0)	3	
9	93440-25020-00	CIRCLIP	3	
10	90201-20266-00	WASHER, PLATE (1.0T)	1	
11	93311-42012-00	BEARING, CYLINDER.# 1	1	
12	99999-01986-00	AXLE, DRIVE	1	
13	90338-09066-00	PLUG, SPEC'L SHAPE	1	
14	583-17211-00-00	GEAR, 1ST WHEEL	1	
15	583-17221-00-00	GEAR, 2ND WHEEL	1	
16	583-17231-01-00	GEAR, 3RD WHEEL	1	
17	583-17241-00-00	GEAR, 4TH WHEEL	1	
18	583-17251-01-00	GEAR, 5TH WHEEL	1	
19	90201-253K0-00	WASHER, PLATE (T=1.0)	3	
20	93440-25020-00	CIRCLIP	3	
21	90201-20278-00	WASHER, PLATE	1	
22	93410-20038-00	CIRCLIP	2	
23	90201-20266-00	WASHER, PLATE (1.0T)	1	
24	93313-32008-00	BEARING, CYLINDER.# 3	1	
25	93306-30517-00	BEARING	1	
26	93102-35180-00	OIL SEAL, SD-TYPE	1	
27	90387-25507-00	COLLAR	1	
28	93210-22298-00	O-RING	1	
29	9383E-16106-00	SPROCKET, DRIVE 16T (16T)	1	

CONTINUED ON NEXT FRAME ➤

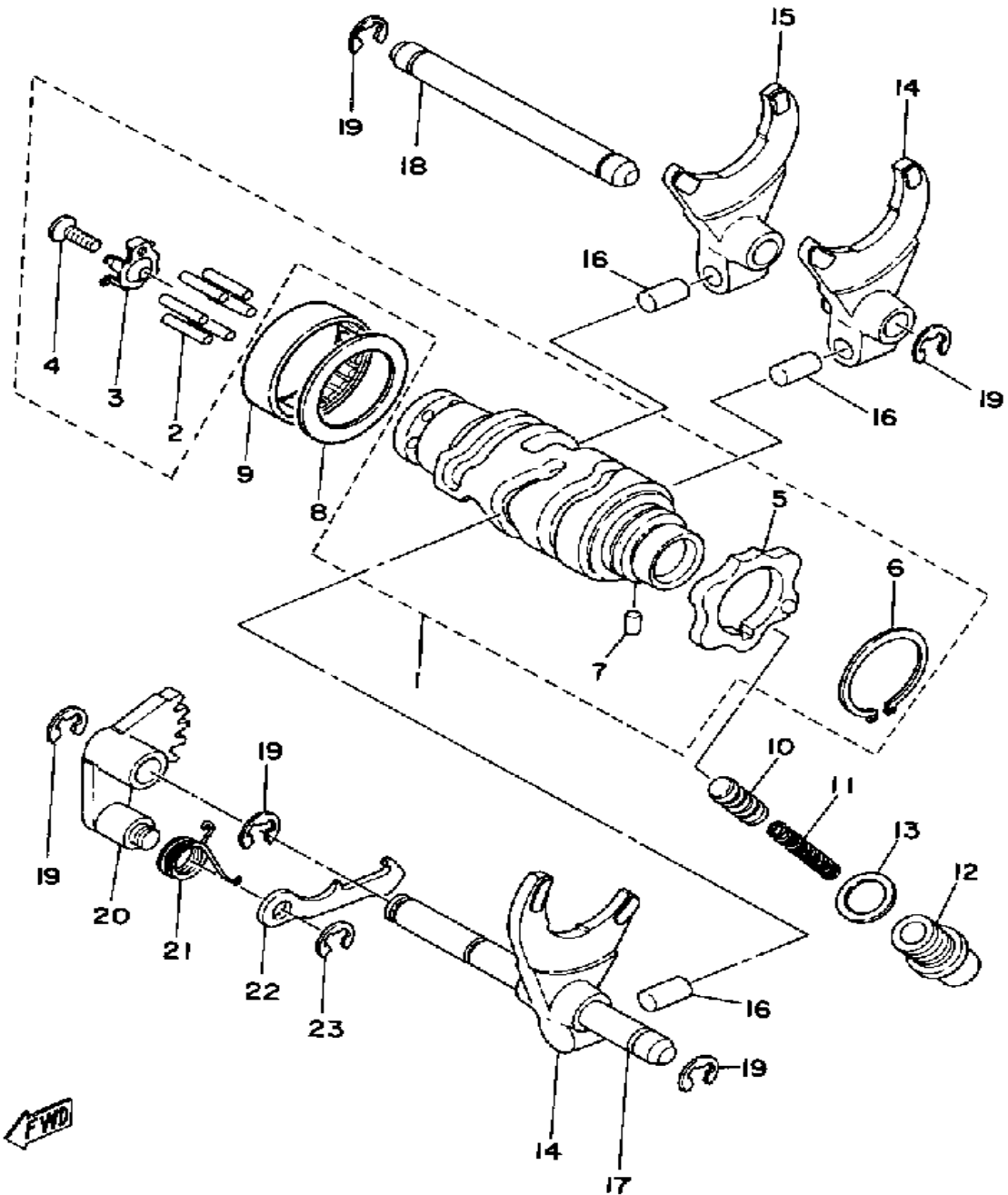
TRANSMISSION



Ref. No.	Part Number	Description	Qty	Remarks
30	90215-21022-00	WASHER, LOCK	1	
31	90179-18020-00	NUT	1	

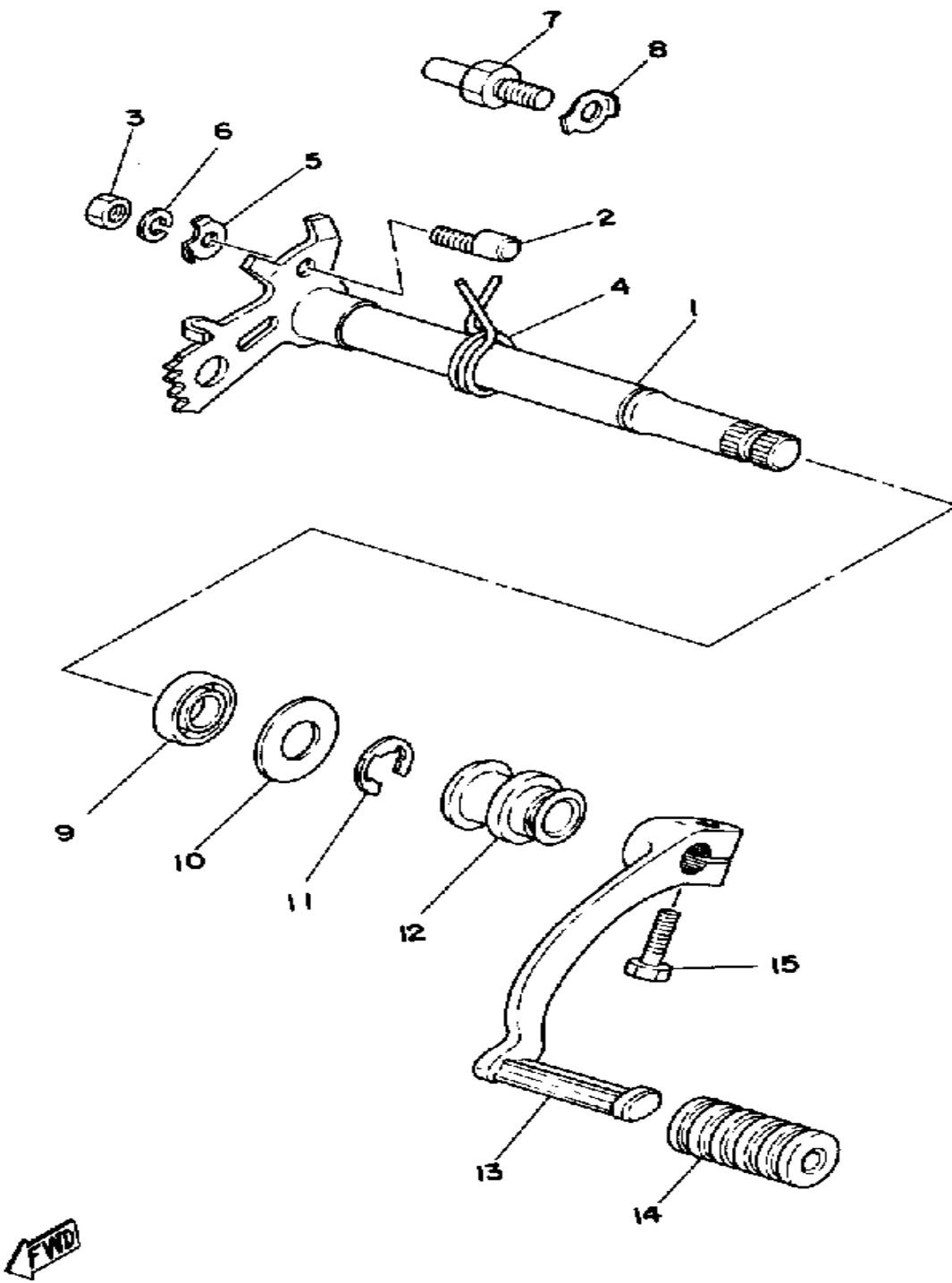
Primary Drive Type/Teeth/Ratio	Spur Gear / 77-30 / 2.566
Secondary Drive Type/Teeth/Chain	Chain / 44-16 / DID620DS-100L

SHIFT CAM - FORK



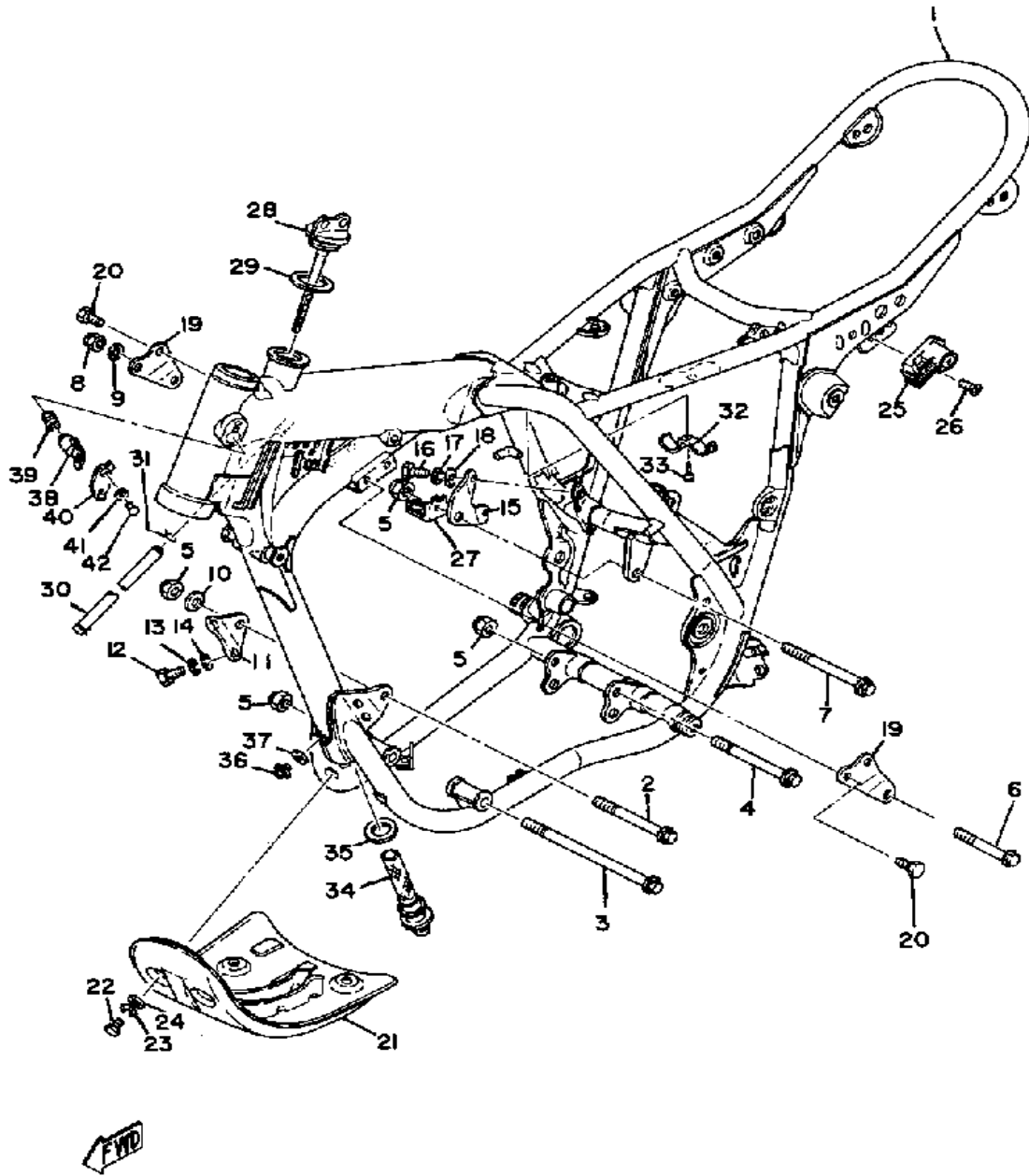
Ref. No.	Part Number	Description	Qty	Remarks
1	2J2-18540-00-00	SHIFT CAM ASSEMBLY	1	
2	93604-18100-00	. PIN, DOWEL	6	
3	434-18561-00-00	. PLATE, SIDE 1	1	
4	98701-05012-00	. SCREW, FLAT HEAD	1	
5	2J2-W1814-00-00	. PLATE, STOPPER	1	
6	99009-30400-00	. CIRCLIP	1	
7	93604-08071-00	. PIN, DOWEL	1	
8	90201-32673-00	WASHER, PLATE	1	
9	93315-23208-00	BEARING	1	
10	1J7-18547-00-00	STOPPER, CAM	1	
11	90501-10062-00	SPRING, COMPRESSION	1	
12	90149-14031-00	SCREW, SPEC'L SHAPE	1	
13	137-15353-00-00	GASKET, DRAIN	1	
14	364-18511-00-00	FORK, SHIFT 1	2	
15	363-18511-00-00	FORK, SHIFT 1	1	
16	90250-08017-00	PIN, STRAIGHT	3	
17	(363-18531-00-00)	BAR, SHIF FRK GDE 1	1	
18	363-18535-00-00	BAR, SHIF FRK GDE 2	1	
19	99001-08600-00	CIRCLIP	5	
20	434-18122-00-00	LEVER, SHIFT 2	1	
21	90508-08334-00	SPRING, TORSION	1	
22	498-18151-03-00	LEVER, SHIFT 3	1	
23	99080-07600-00	CIRCLIP (E)	1	

SHIFT SHAFT



Ref. No.	Part Number	Description	Qty	Remarks
1	2J2-18103-00-00	SHAFT, SHIFT	1	
2	90149-06017-00	SCREW, SPEC'L SHAPE (214-18186-00)	1	
3	95380-06600-00	NUT	1	
4	90508-32052-00	SPRING, TORSION (214-18124-00)	1	
5	90215-06016-00	WASHER, LOCK	1	
6	92995-06100-00	WASHER, SPRING	1	
7	278-18127-00-00	STOPPER, SCREW	1	
8	90215-08115-00	WASHER, LOCK	1	
9	93109-14010-00	OIL SEAL, SDO-TYPE	1	
10	90201-14220-00	WASHER, PLATE	1	
11	99001-12600-00	CIRCLIP	1	
12	583-18131-00-00	BOOT, SEALING	1	
13	3UL-18111-00-00	PEDAL, SHIFT	1	CHROME PLATED
14	132-18113-01-00	COVER, SHIFT PEDAL	1	
15	97011-06020-00	BOLT	1	

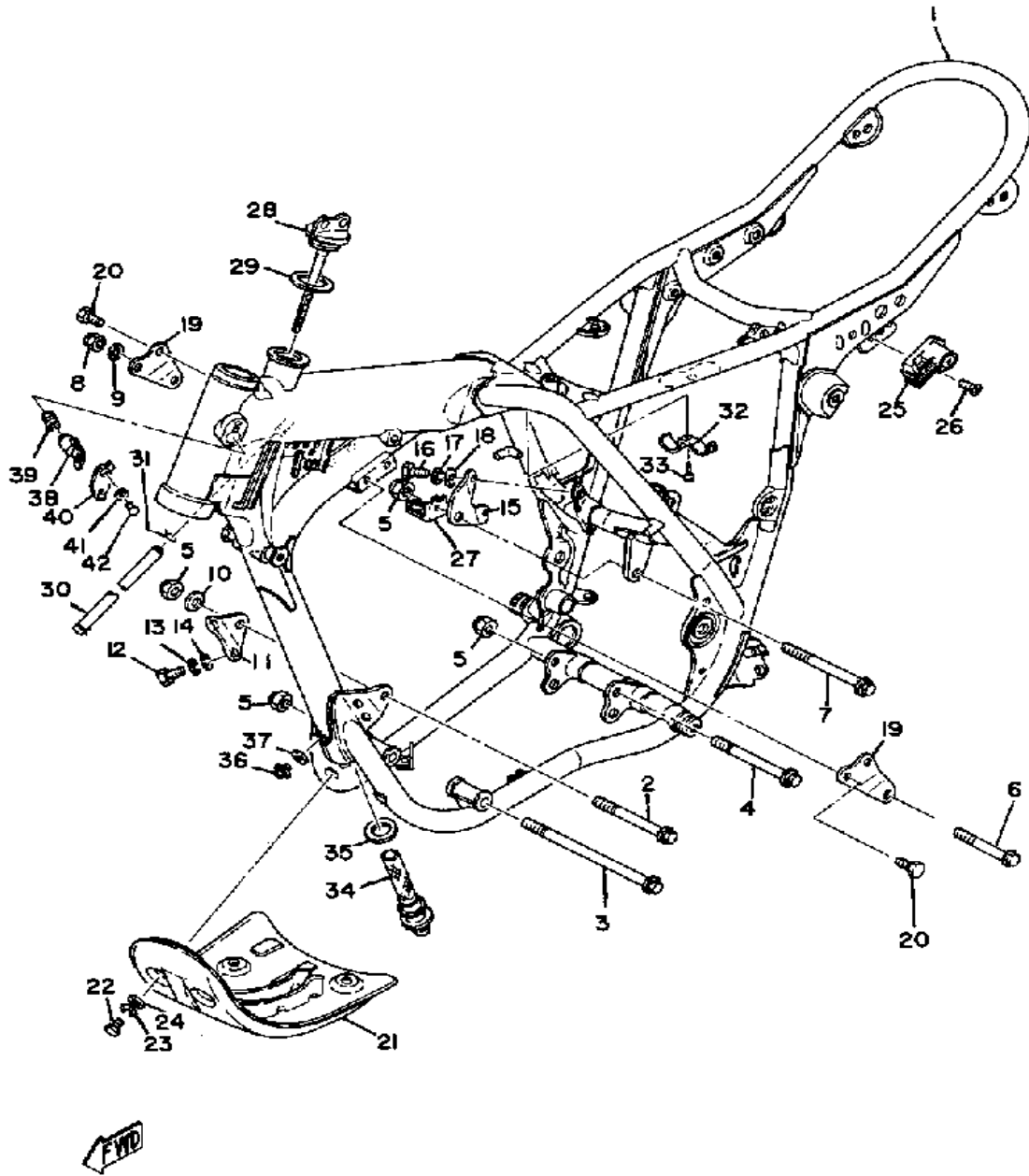
FRAME



Ref. No.	Part Number	Description	Qty	Remarks
1	(3H6-21110-00-33)	FRAME	1	YAMAHA BLACK
2	90105-10039-00	BOLT, WASHER BASED	1	
3	90105-10063-00	BOLT, WASHER BASED	1	
4	90105-10050-00	BOLT, WASHER BASED	1	
5	90185-10060-00	NUT, SELF-LOCKING	4	
6	90105-08064-00	BOLT, WASHER BASED	1	
7	90105-10051-00	BOLT, WASHER BASED	1	
8	90185-08089-00	NUT, SELF-LOCKING	1	
9	90208-08011-00	WASHER, CONICAL SPRING ..	1	
10	90201-102G9-00	WASHER, PLATE	1	
11	583-21316-00-00	STAY, ENGINE 3	1	
12	97013-08025-00	BOLT	2	
13	92990-08100-00	WASHER	2	
14	92901-08600-00	WASHER	2	
15	1T1-21317-00-00	STAY, ENGINE 4	1	
16	97013-08025-00	BOLT	2	
17	92990-08100-00	WASHER	2	
18	92901-08600-00	WASHER	2	
19	583-21315-01-00	STAY, ENGINE 2 (583-21315-00)	2	
20	90105-08155-00	BOLT, WASHER BASED	4	
21	1T1-21471-01-00	PROTECTOR, ENGINE	1	
22	97301-06014-00	BOLT, HEXAGON	5	
23	92995-06100-00	WASHER, SPRING	5	
24	90201-065F3-00	WASHER, PLATE	5	
25	55E-21308-00-00	HELMET HANGER ASSEMBLY	1	
26	98603-06018-00	SCREW, OVAL HEAD	1	
27	1T2-21441-00-00	BRACKET, STOP SWTH	1	
28	2J2-21771-02-00	BODY, CAP	1	
29	90430-27124-00	GASKET	1	

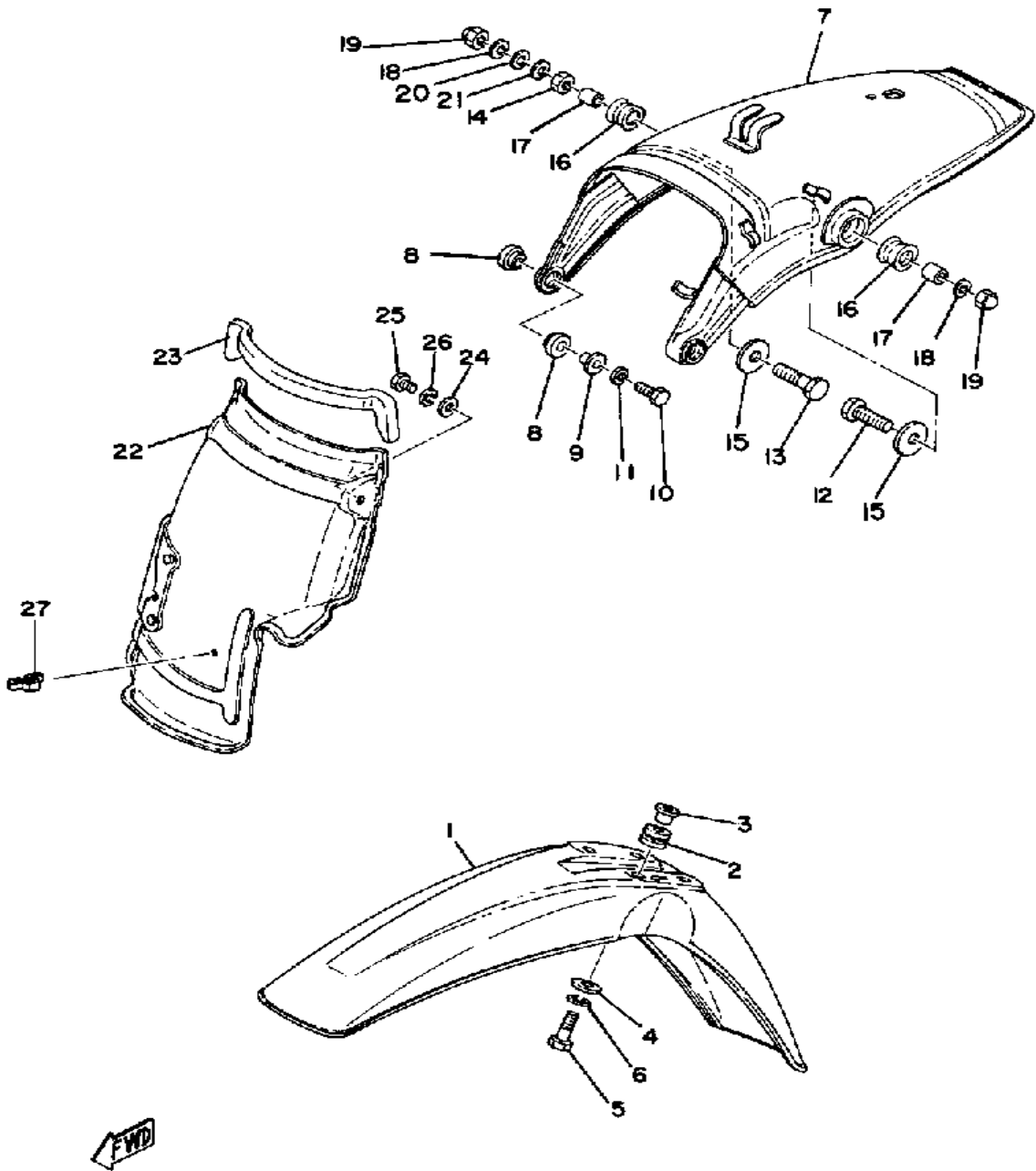
CONTINUED ON NEXT FRAME ►

FRAME



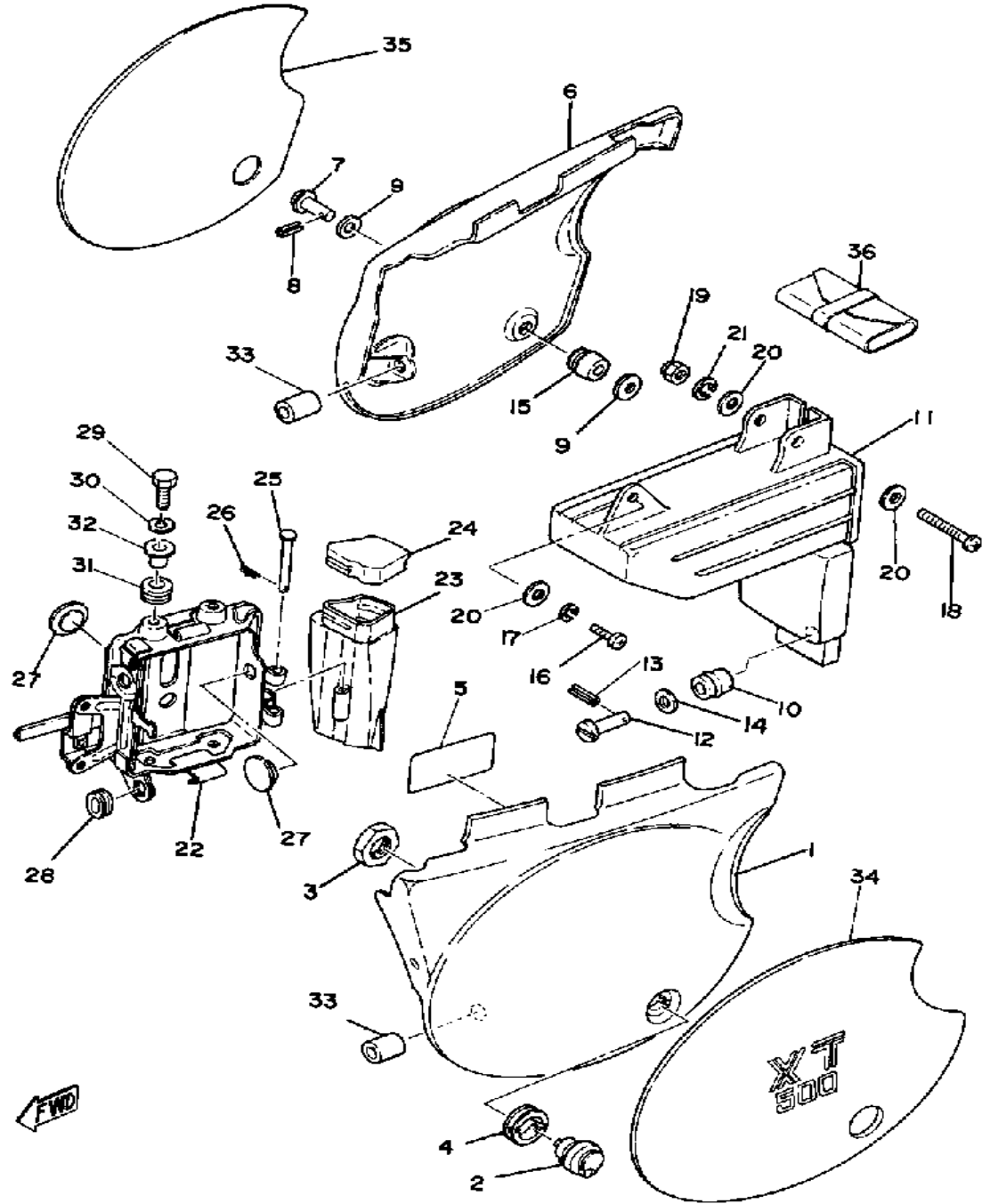
Ref. No.	Part Number	Description	Qty	Remarks
30	90445-11289-00	HOSE	1	
31	(583-21755-00-00)	CLAMP, DAMPER	2	
32	2J2-21771-02-00	BODY, CAP	1	
33	97780-50110-00	SCREW, TAPPING	1	
34	583-21756-00-00	NET, FILTER	1	
35	90430-22123-00	GASKET	1	
36	95811-08012-00	BOLT, FLANGE	1	
37	90201-08087-00	WASHER, PLATE	1	
38	2A6-23408-00-00	STEERING LOCK ASSEMBLY .	1	
39	90502-09024-00	SPRING, CONICAL	1	
40	3DM-23484-00-00	CAP, HANDLE LOCK	1	
41	90208-04029-00	WASHER, CONICAL SPRING ..	1	
42	90269-04003-00	RIVET	1	

FRONT FENDER - REAR FENDER



Ref. No.	Part Number	Description	Qty	Remarks
1	3H6-21511-00-00	FENDER, FRONT	1	CLEAN WHITE
2	90480-14198-00	GROMMET	4	
3	90387-06388-00	COLLAR	4	
4	90201-06067-00	WASHER, PLATE	4	
5	97021-06030-00	BOLT	4	
6	92995-06100-00	WASHER, SPRING	4	
7	1U6-21610-00-36	FENDER, REAR	1	CLEAN WHITE
8	322-21541-00-00	DAMPER 1	4	
9	90387-07391-00	COLLAR	2	
10	97011-06025-00	BOLT (97001-06025)	2	
11	92995-06100-00	WASHER, SPRING	2	
12	97313-08035-00	BOLT, HEXAGON	1	
13	97313-08045-00	BOLT	1	
14	95333-08600-00	NUT	1	
15	90201-08612-00	WASHER, PLATE	2	
16	168-21639-00-00	DAMPER 2	2	
17	90387-08258-00	COLLAR	2	
18	92990-08100-00	WASHER	2	
19	95303-08800-00	NUT (CROWN) (95301-08800)	2	
20	92990-08200-00	WASHER, PLAIN	1	
21	90201-08326-00	WASHER, PLATE	1	
22	1T1-21620-00-00	GUARD, MUD	1	
23	583-21746-00-00	DAMPER	1	
24	90201-06571-00	WASHER, PLATE	3	
25	97011-06016-00	BOLT	3	
26	92995-06100-00	WASHER, SPRING	3	
27	90464-08020-00	CLAMP	1	

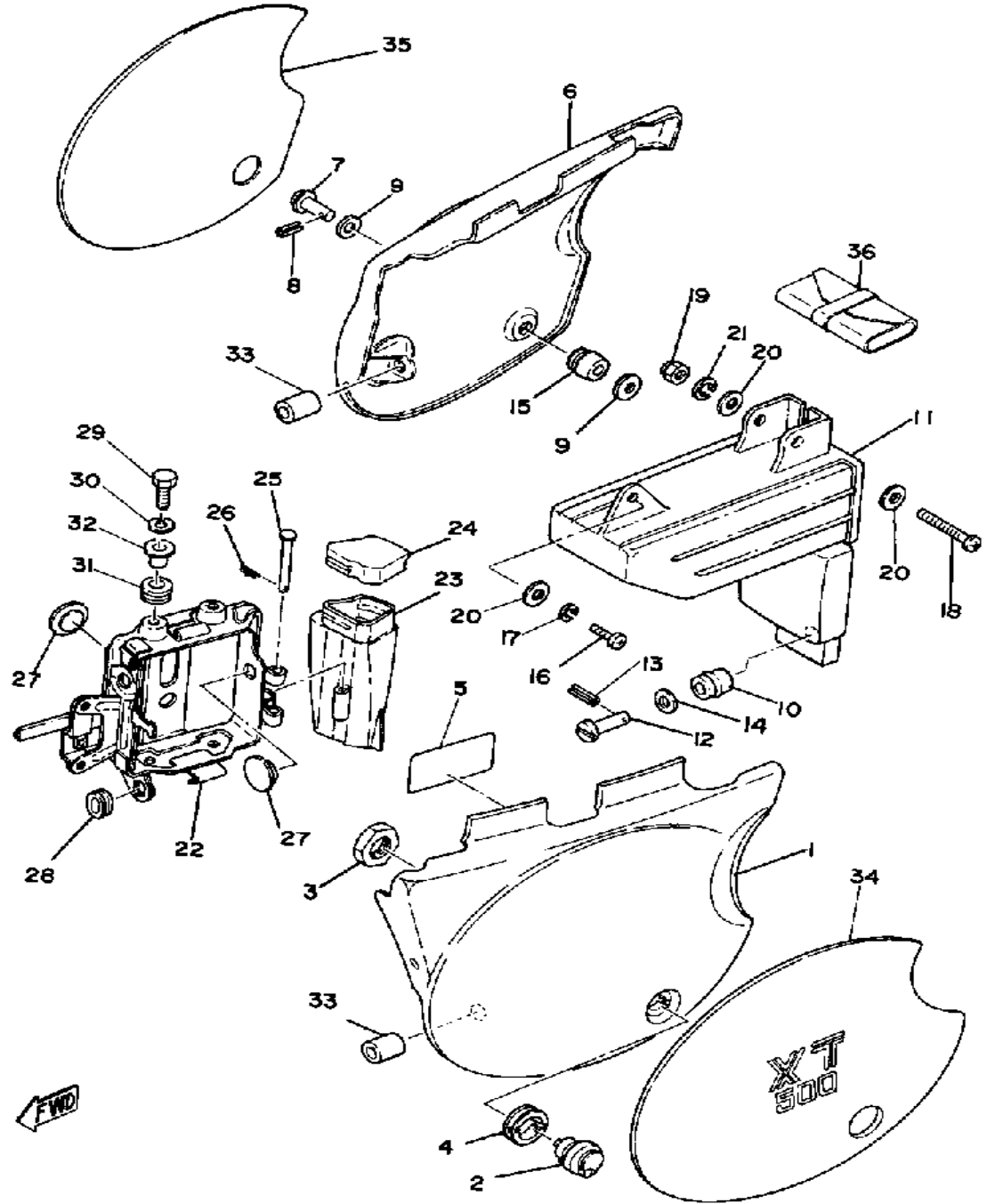
SIDE COVER - TOOL



Ref. No.	Part Number	Description	Qty	Remarks
1	3H7-21711-00-33	COVER, SIDE 1	1	YAMAHA BLACK
2	1E6-21708-00-00	SIDE CVR LOCK ASSEMBLY	1	
3	90170-22187-00	NUT	1	
4	90480-24186-00	GROMMET	1	
5	(3H6-21683-00-00)	PLATE, SPEC	1	
6	3H7-21721-00-33	COVER, SIDE 2	1	
7	583-21714-00-00	KNOB, SIDE COVER 1	1	
8	91609-25018-00	PIN, SPRING	1	
9	90201-06063-00	WASHER, PLATE	2	
10	583-21747-00-00	DAMPER	1	
11	1T2-21171-00-00	BOX, TOOL	1	
12	583-21714-00-00	KNOB, SIDE COVER 1	1	
13	91609-25018-00	PIN, SPRING	1	
14	90201-06063-00	WASHER, PLATE	1	
15	583-21747-00-00	DAMPER	1	
16	98506-06014-00	SCREW, PAN HEAD (92506-06014)	1	
17	92906-06100-00	WASHER, SPRING	1	
18	98506-06045-00	SCREW, PAN HEAD	1	
19	95380-06600-00	NUT	1	
20	90201-063J2-00	WASHER, PLATE	3	
21	92995-06100-00	WASHER, SPRING	1	
22	2H0-21240-00-00	BOX, BATT.	1	
23	1E6-21245-00-00	BOX	1	
24	1E6-21399-00-00	CAP, TOOL BOX	1	
25	91701-05055-00	PIN, CLEVIS	1	
26	90468-10050-00	CLIP	1	
27	371-82121-00-00	PAD, BATTERY	4	
28	90480-01176-00	GROMMET	1	

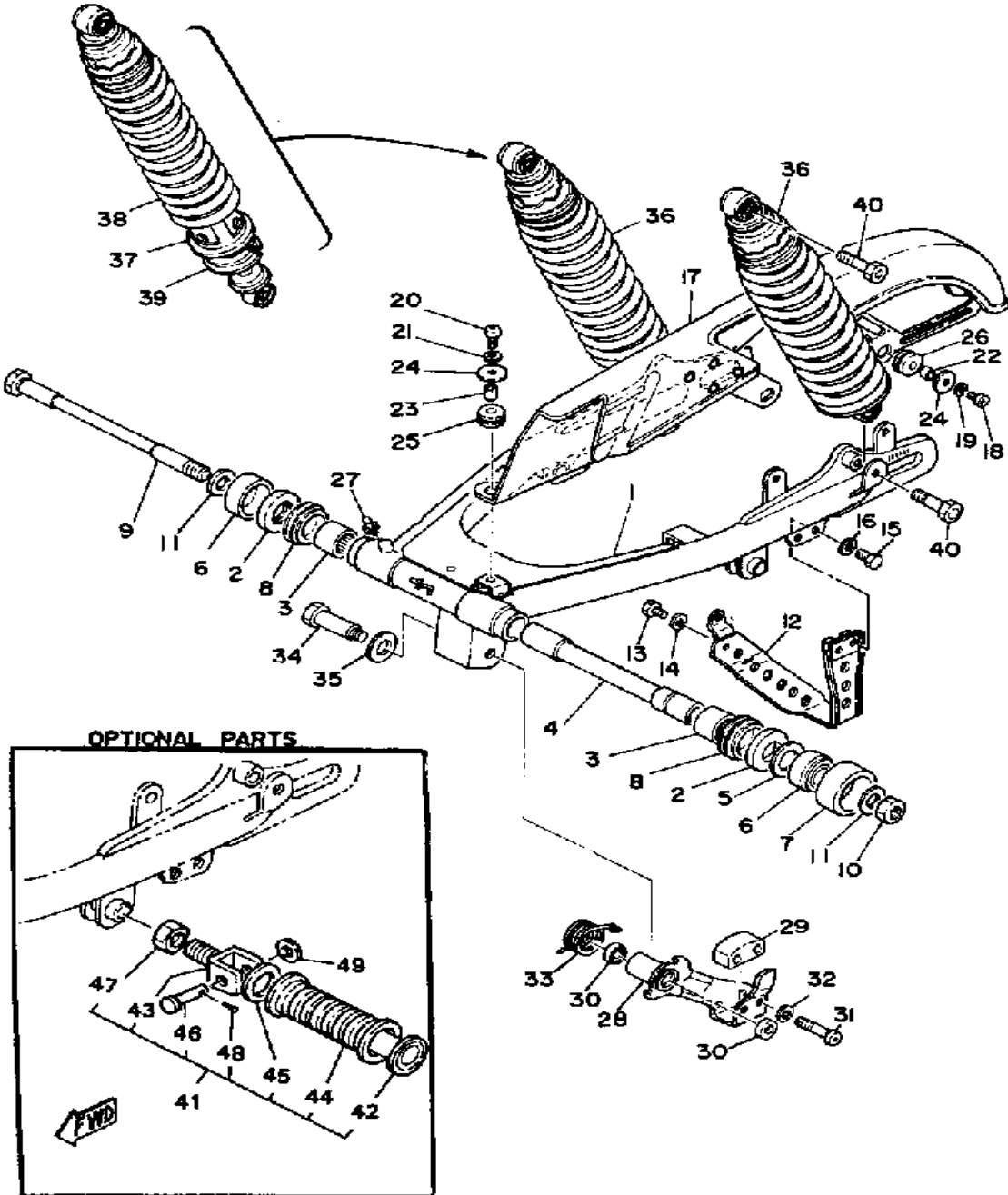
CONTINUED ON NEXT FRAME ►

SIDE COVER - TOOL



Ref. No.	Part Number	Description	Qty	Remarks
29	97011-06025-00	BOLT (97001-06025)	2	
30	92995-06100-00	WASHER, SPRING	2	
31	90480-14123-00	UNAVAILABLE IN PRICE BOOK (90840-14102)	2	
32	90387-07391-00	COLLAR	2	
33	90445-11418-00	HOSE	2	
34	(3H6-21786-00-00)	EMBLEM 6	1	
35	(3H6-21787-00-00)	EMBLEM 7	1	
36	1JN-W2810-00-00	TOOL KIT (1E6-28100-10)	1	

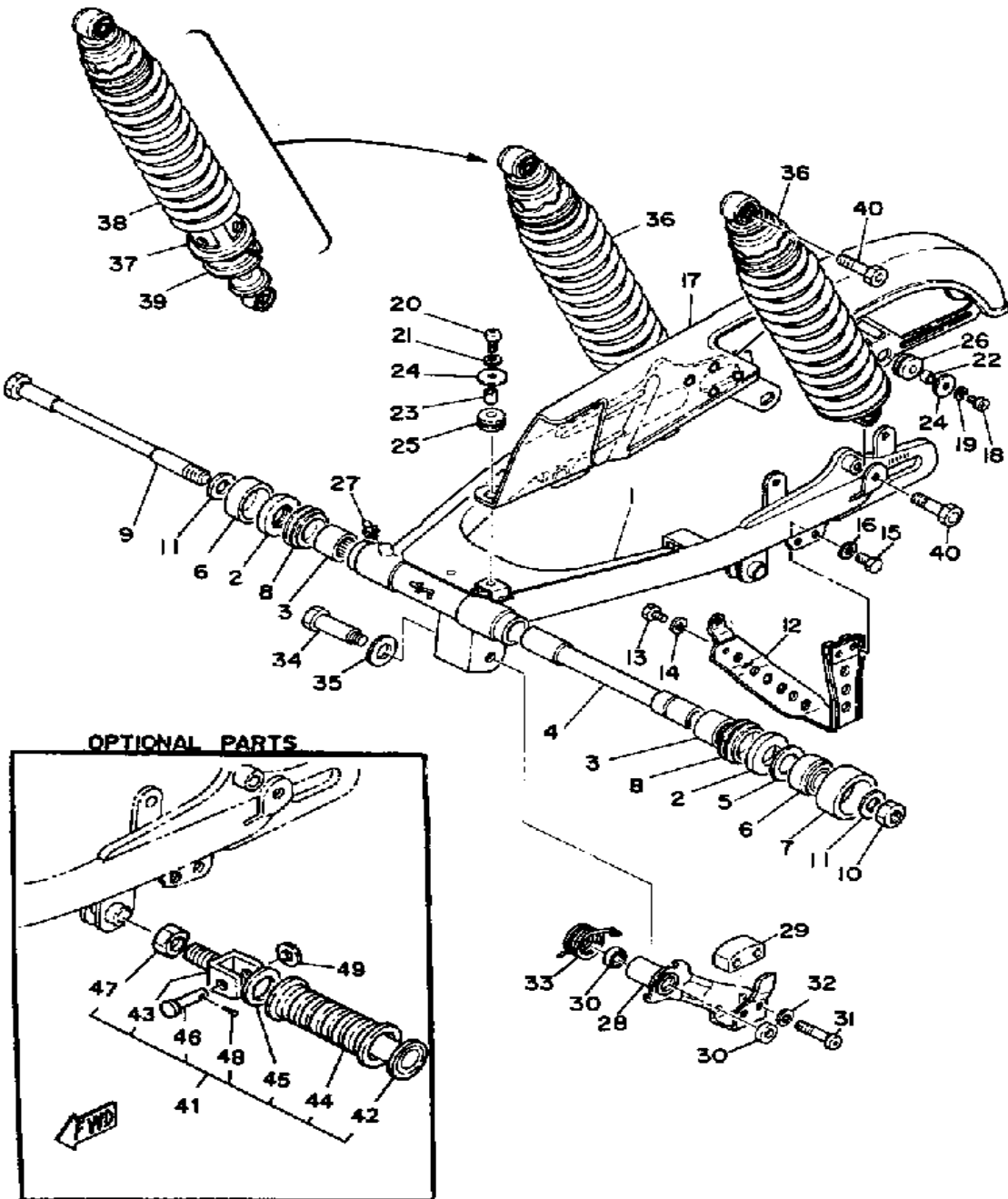
REAR ARM - SUSPENSION



Ref. No.	Part Number	Description	Qty	Remarks
1	(3H7-22110-00-33)	REAR ARM	1	YAMAHA BLACK
2	93342-22205-00	BEARING, FLAT # 2	2	
3	93317-22208-00	BEARING, CYLINDER.# 7	2	
4	483-22124-00-00	BUSH 2	1	
5	648-45533-00-03	SHIM	1	
6	2K8-22129-00-00	COVER, THRUST 2	2	
7	431-22151-03-00	SEAL, GUARD	1	
8	93108-35004-00	OIL SEAL (35-41-8)	2	
9	583-22141-01-00	SHAFT, PIVOT	1	
10	95601-16100-00	NUT, U	1	
11	90208-16019-00	WASHER, CONICAL SPRING	2	
12	1U6-22318-00-33	GUARD, CHAIN	1	YAMAHA BLACK
13	97313-08018-00	BOLT, HEXAGON (97301-08016)	1	
14	92990-08100-00	WASHER	1	
15	97313-06016-00	BOLT, HEXAGON	2	
16	92995-06100-00	WASHER, SPRING	2	
17	1U6-22311-00-00	CASE, CHAIN	1	YAMAHA BLACK
18	98580-05016-00	SCREW, PAN HEAD	2	
19	92990-05100-00	WASHER, SPRING	2	
20	98501-05018-00	SCREW, PAN HEAD	2	
21	92990-05100-00	WASHER, SPRING	2	
22	90560-05001-00	SPACER	2	
23	90387-06761-00	COLLAR	2	
24	90201-06407-00	WASHER, PLATE (90201-06747-00)	4	
25	90480-12529-00	GROMMET	2	
26	90480-08216-00	GROMMET	2	
27	93700-06M03-00	NIPPLE, GREASE	1	
28	2Y0-22179-00-00	ARM, TENSIONER	1	

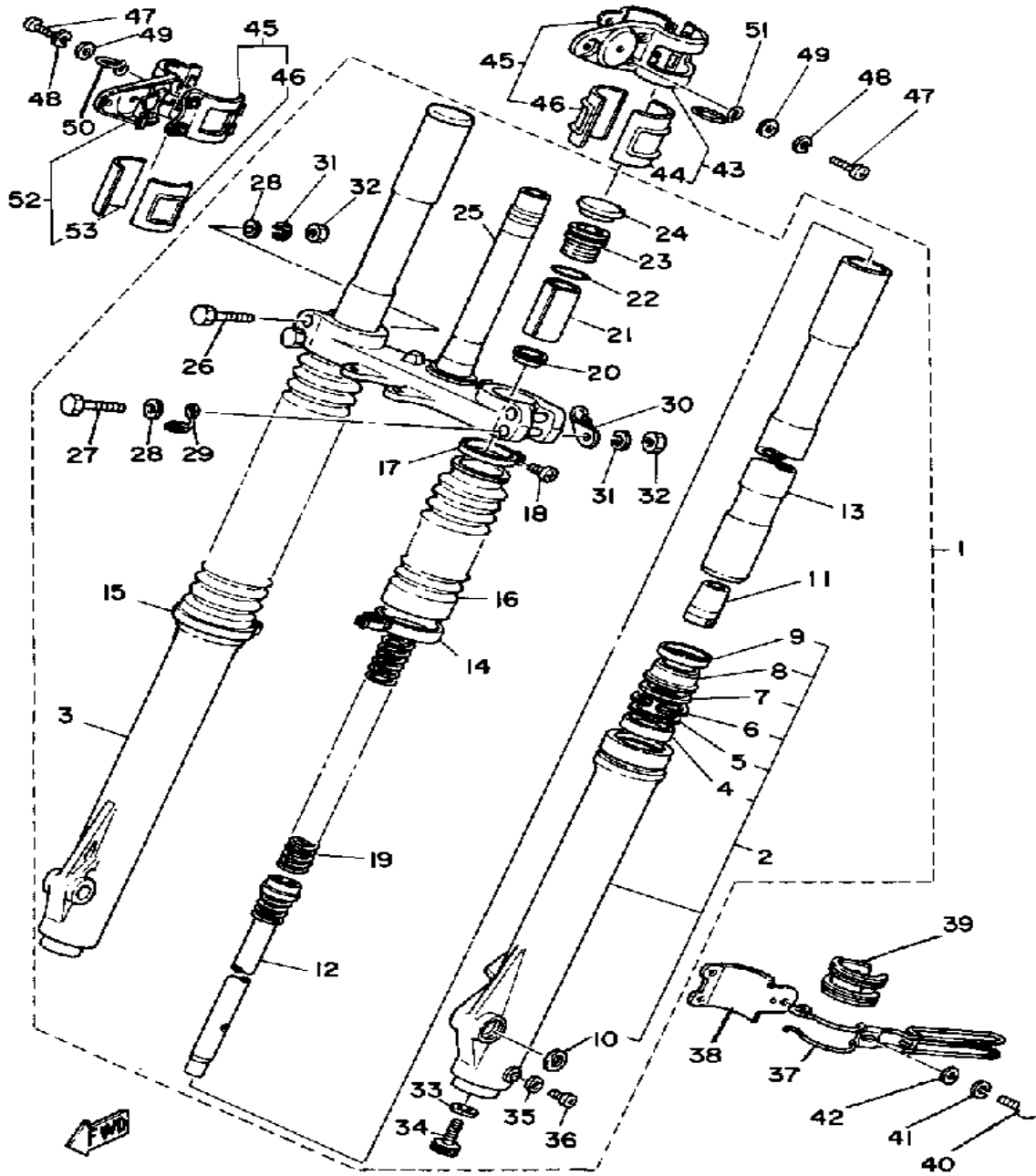
CONTINUED ON NEXT FRAME ►

REAR ARM - SUSPENSION



Ref. No.	Part Number	Description	Qty	Remarks
29	ACC-11130-00-25	TENSIONER (2N0-22178-00-00)	1	
30	93104-14044-00	OIL SEAL	2	
31	98501-05040-00	SCREW, PAN HEAD (98502-05040)	2	
32	92990-05100-00	WASHER, SPRING	2	
33	90508-35387-00	SPRING, TORSION	1	
34	90109-10483-00	BOLT (90109-10533-00)	1	
35	90201-14218-00	WASHER, PLATE	1	
36	3H7-22210-00-00	SHK/ABS ASSEMBLY, REAR	2	
37	1T1-22211-00-00	. COVER	2	
38	(1T1-22212-00-00)	SPRING	2	
39	583-22214-00-00	. GUIDE, SPRING 1	2	
40	120-27430-02-00	RR FOOTREST ASSEMBLY 1	2	OPTIONAL PARTS
	90109-10420-00	BOLT	4	
42	120-27431-00-00	. FOOTREST, REAR 1	1	OPTIONAL PARTS
43	120-27432-02-00	. BRACKET 1	1	OPTIONAL PARTS
44	120-27433-00-00	. COVER, REAR FOOTREST	1	OPTIONAL PARTS
45	90201-20279-00	. WASHER, PLATE	1	OPTIONAL PARTS
46	(90240-06052-00)	PIN, CLEVIS	1	OPTIONAL PARTS
47	95301-12700-00	. NUT (95302-12700)	1	OPTIONAL PARTS
48	91490-20020-00	. PIN, COTTER	1	OPTIONAL PARTS
49	90201-062G3-00	. WASHER, PLATE	1	OPTIONAL PARTS

FRONT FORK

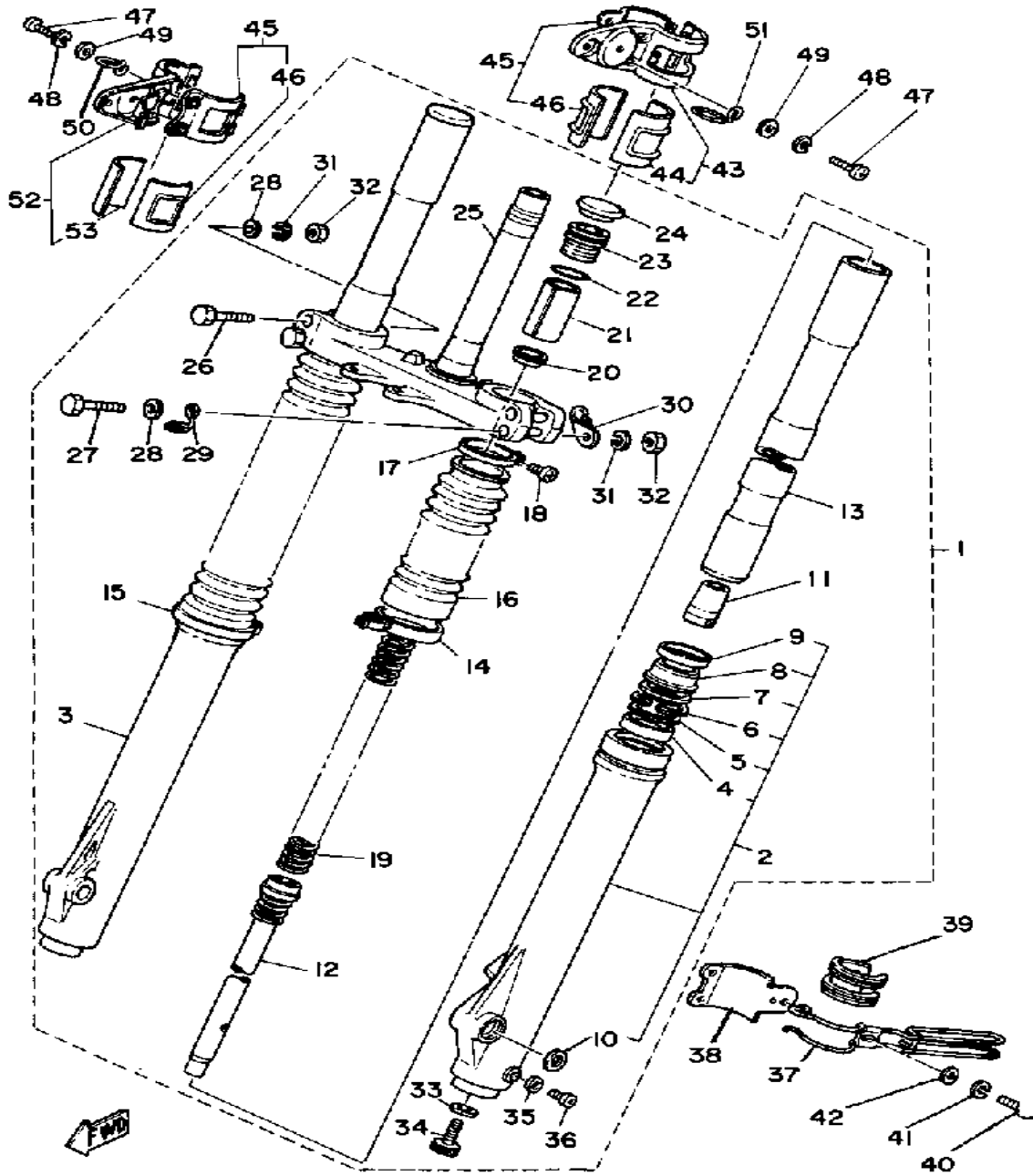


Front Forks: Oil Type/Level/Qty.	10 wt. Fork Oil* / ϕ / 238cc
Gas Pressure	ϕ
Spring Length Std.	481mm

Ref. No.	Part Number	Description	Qty	Remarks
1	(2Y0-23101-00-00)	FRONT FORK ASSEMBLY	1	
2	(2W6-23126-00-00)	TUBE, OUTER 1	1	
3	(2W6-23136-00-00)	TUBE, OUTER 2	1	
4	48Y-23145-00-00	.. OIL SEAL	2	
5	(509-23146-L0-00)	WASHER, OIL SEAL	2	
6	1W1-23156-L0-00	.. CLIP, OIL SEAL	2	
7	1W1-23153-L0-00	.. RING, SNAP	2	
8	1G8-23144-L1-00	.. SEAL, DUST	2	
9	99999-01510-00	.. COVER, DUST SEAL	2	
10	1W1-23168-L0-00	.. CAP, FRONT FORK	2	
11	(2Y0-23173-00-00)	SPINDLE, TAPER	2	
12	(2Y0-23170-00-00)	CYLINDER, FRTRFK	2	
13	(3H7-23124-00-00)	TUBE, INNER 1	2	
14	1W1-23318-L0-00	. HOLDER, CABLE 1	1	
15	509-23489-L0-00	. BAND	1	
16	2N6-23191-00-00	. BOOT, FRONT FORK	2	
17	341-92090-60-00	. BAND, BOOT	2	
18	509-23194-L0-00	. SCREW, BOOT BAND	2	
19	3H7-23141-00-00	. SPRING, FRONT FORK	2	
20	583-23142-00-00	. SEAT, SPRING UPPER	2	
21	11H-23118-00-00	. SPACER	2	
22	240-23114-00-00	. GASKET	2	
23	1U6-23111-M1-00	. BOLT, CAP (1U6-23111-M0)	2	
24	1U6-23168-M1-00	. CAP, FRONT FORK	2	
25	(4E5-23340-30-33)	UNDER BRACKET	1	YAMAHA BLACK
26	90101-08340-00	. BOLT	3	
27	90101-08340-00	. BOLT	1	
28	92901-08600-00	. WASHER	5	
29	(1E6-23317-10-00)	HOLDER, CABLE	1	

CONTINUED ON NEXT FRAME ➤

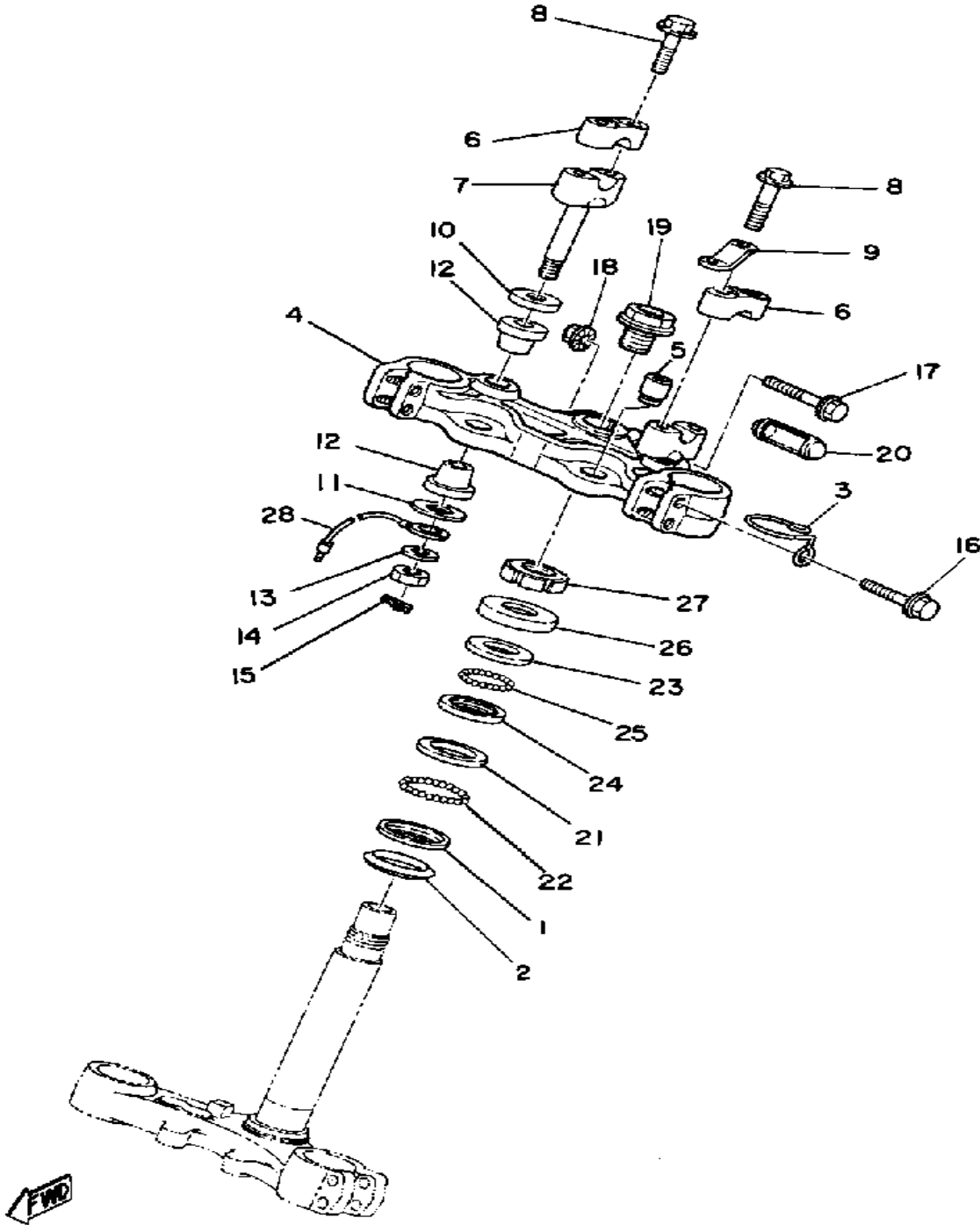
FRONT FORK



Ref. No.	Part Number	Description	Qty	Remarks
30	(90462-08024-00)	CLAMP	1	
31	92990-08100-00	. WASHER	4	
32	95333-08600-00	. NUT	4	
33	509-23158-L0-00	. GASKET	2	
34	278-23181-50-00	. BOLT, HEXAGON SOCKET HEAD	2	
35	122-23129-00-00	. GASKET, DRAIN PLUG	2	
36	98580-04008-00	. SCREW, PAN HEAD	2	
37	(1T2-23318-00-00)	HOLDER, CABLE 1	1	
38	(1E6-23319-00-00)	HOLDER, CABLE 2	1	
39	559-21541-00-00	DAMPER 1	1	
40	97011-06020-00	BOLT	1	
41	92995-06100-00	WASHER, SPRING	1	
42	92901-06600-00	WASHER	1	
43	(3H7-23121-00-33)	COVER, UPPER 1	1	YAMAHA BLACK
44	(1N5-23138-00-00)	GASKET, UPPER CVR 2	1	
45	(3H7-23131-00-33)	COVER, UPPER 2	2	YAMAHA BLACK
46	(1N5-23137-00-00)	GASKET, UPPER CVR 1	1	
47	98580-06020-00	SCREW	4	
48	92995-06100-00	WASHER, SPRING	4	
49	90201-061A5-00	WASHER, PLATE	4	
50	(1E6-23389-00-00)	GUIDE, CABLE	1	
51	(90468-23097-00)	CLIP	1	
52	(3H7-23122-00-33)	COVER, OUTER 1	1	YAMAHA BLACK
53	(1N5-23138-00-00)	GASKET, UPPER CVR 2	1	

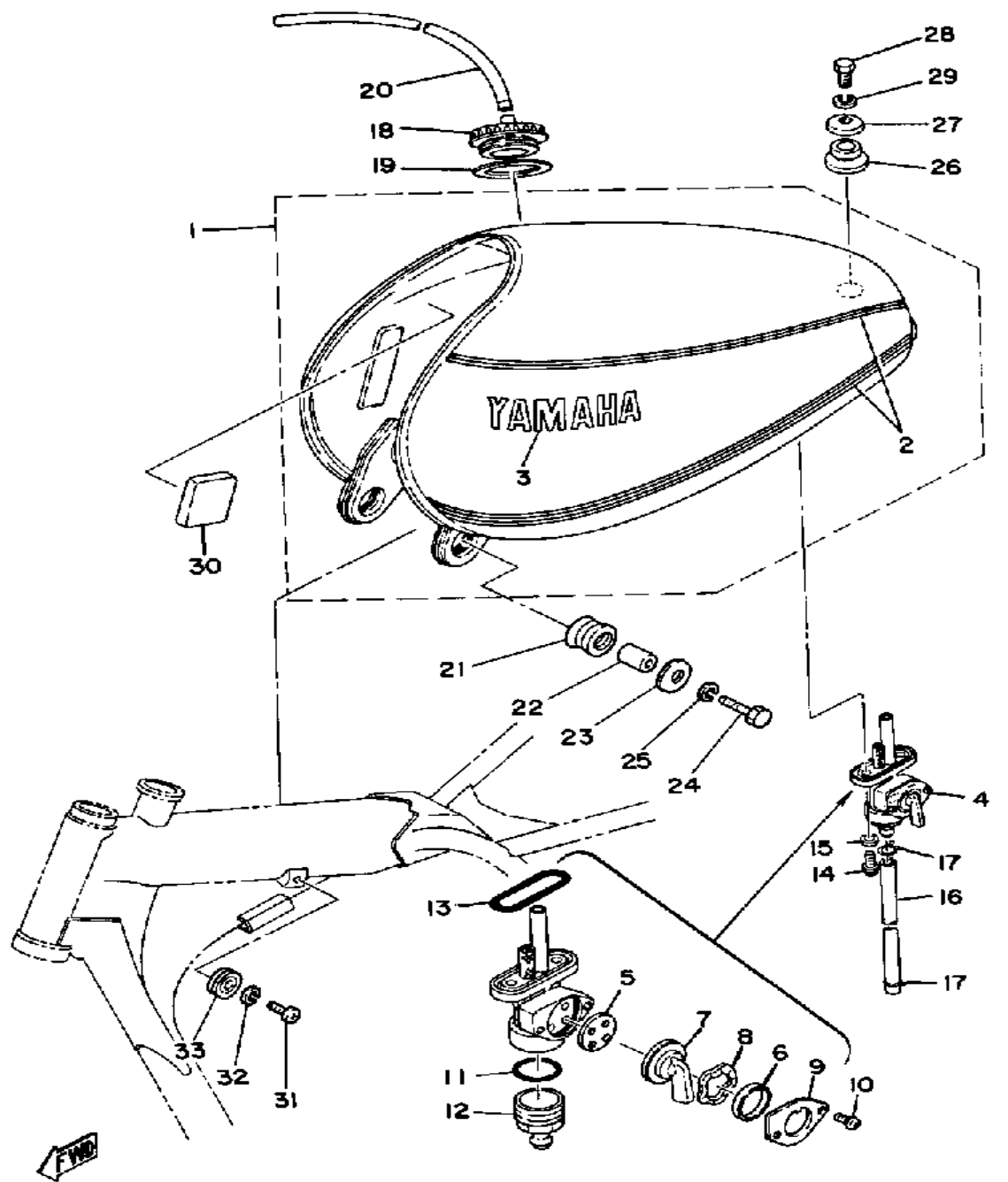
Front Forks: Oil Type/Level/Qty.	10 wt. Fork Oil* / ϕ / 238cc
Gas Pressure	ϕ
Spring Length Std.	481mm

STEERING



Ref. No.	Part Number	Description	Qty	Remarks
1	156-23411-00-00	RACE, BALL 1	1	
2	164-23462-00-00	SEAL, STEERING	1	
3	4H7-23317-00-00	HOLDER, CABLE	1	
4	(3H7-23435-00-98)	CROWN, HANDLE	1	LOW GLOSS BLK
5	1E6-23445-00-00	DAMPER	2	
6	1E6-23441-00-00	HOLDER, HANDLE UPR	2	LOW GLOSS BLK
7	1E6-23442-00-00	HOLDER, HANDLE LWR	2	
8	90105-08091-00	BOLT, WASHER BASED	4	
9	1T2-23389-00-00	GUIDE, CABLE	1	
10	90201-12195-00	WASHER, PLATE	2	
11	90201-10322-00	WASHER, PLATE	2	
12	1E6-23434-00-00	HOLDER, DAMPER	4	
13	92990-10100-00	WASHER, SPRING	2	
14	95303-10700-00	NUT	2	
15	90468-12006-00	CLIP	2	
16	90105-08091-00	BOLT, WASHER BASED	4	
17	95811-08055-00	BOLT, FLANGE	1	
18	95701-08500-00	NUT, FLANGE	1	
19	90105-14102-00	BOLT, WASHER BASED	1	
20	583-23469-00-00	CAP, BOLT	1	
21	156-23412-00-00	RACE, BALL 2	1	
22	93501-04011-00	BALL	19	
23	22F-23411-01-00	RACE, BALL 1	1	
24	22F-23412-01-00	RACE, BALL 2	1	
25	93503-16010-00	BALL	22	
26	2Y0-23416-00-00	COVER, BALL RACE 2	1	
27	90179-25033-00	NUT	1	
28	3FU-83364-00-00	WIRE, EARTH LEAD 1	1	

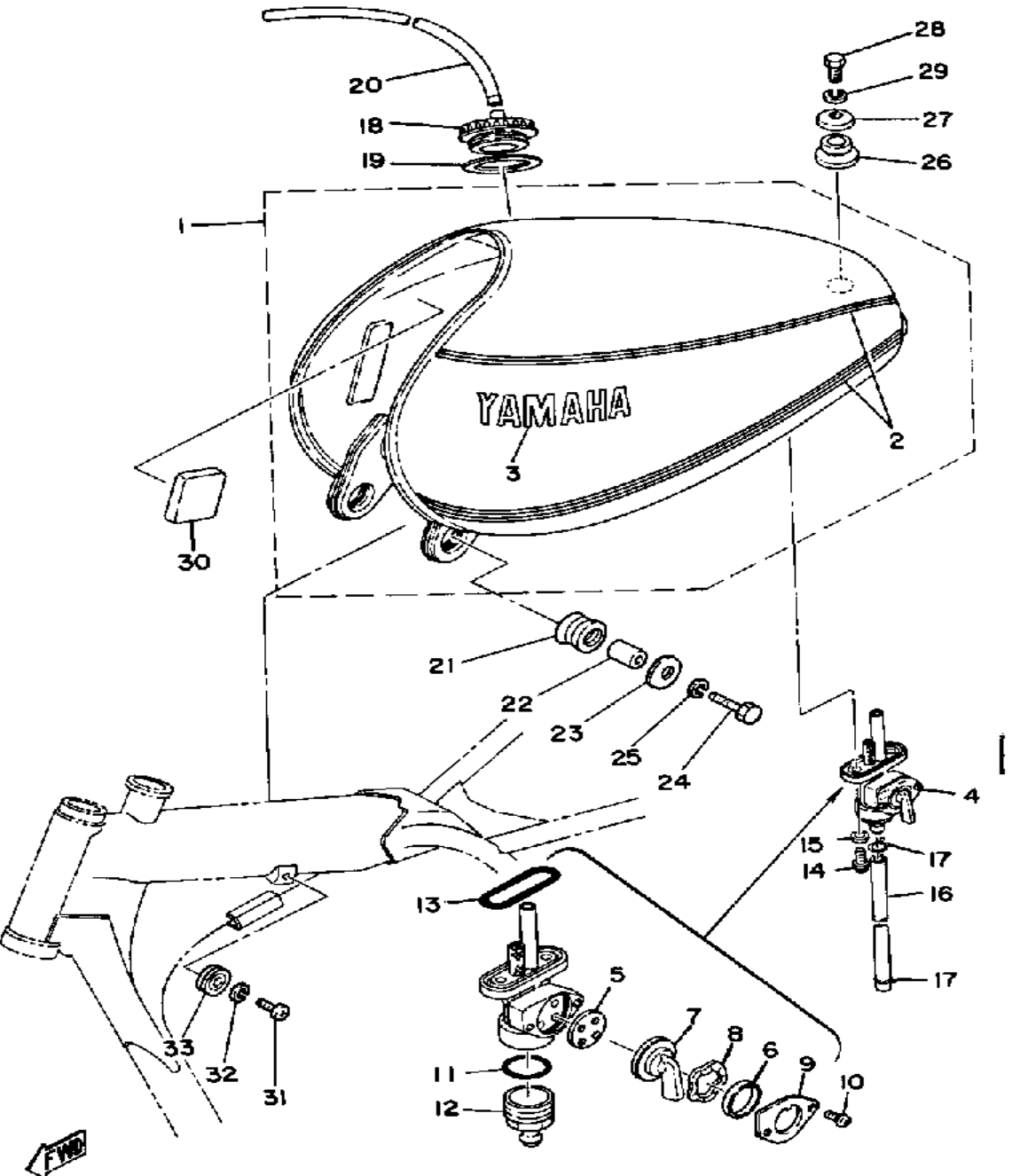
FUEL TANK



Ref. No.	Part Number	Description	Qty	Remarks
1	(3H7-24110-00-01)	FUEL TANK	1	NEW YAMAHA BLK
2	(3H6-24240-00-00)	GRAPHIC SET	1	
3	322-24161-00-00	. EMBLEM 1	2	
4	498-24500-01-00	FUEL COCK ASSEMBLY 1 (214-24500-02)	1	
5	498-24523-00-00	. VALVE	1	
6	(498-24528-00-00)	GASKET	1	
7	498-24524-01-00	. LEVER, COCK	1	
8	90206-18025-00	. WASHER, WAVE	1	
9	498-24525-00-00	. PLATE, LVR FITTING	1	
10	214-24535-00-00	. SCREW, PAN HEAD	2	
11	498-24522-00-00	. GASKET	1	
12	(498-24521-00-00)	CUP, FILTER	1	
13	214-24512-00-00	. GASKET	1	
14	90149-06008-00	SCREW	2	
15	90202-05187-00	WASHER, PLATE	2	
16	90445-11288-00	HOSE	1	
17	90467-10008-00	CLIP	2	
18	2A6-24611-00-00	BODY, CAP	1	
19	1W1-24612-00-00	GASKET, CAP	1	
20	90445-09119-00	HOSE	1	
21	90480-22177-00	GROMMET	2	
22	90387-086N4-00	COLLAR	2	
23	90201-06073-00	WASHER, PLATE	2	
24	97021-06030-00	BOLT	2	
25	92995-06100-00	WASHER, SPRING	2	
26	90480-22054-00	GROMMET	1	
27	90209-08150-00	WASHER, SPEC'L SHAP (90209-08097)	1	

CONTINUED ON NEXT FRAME ►

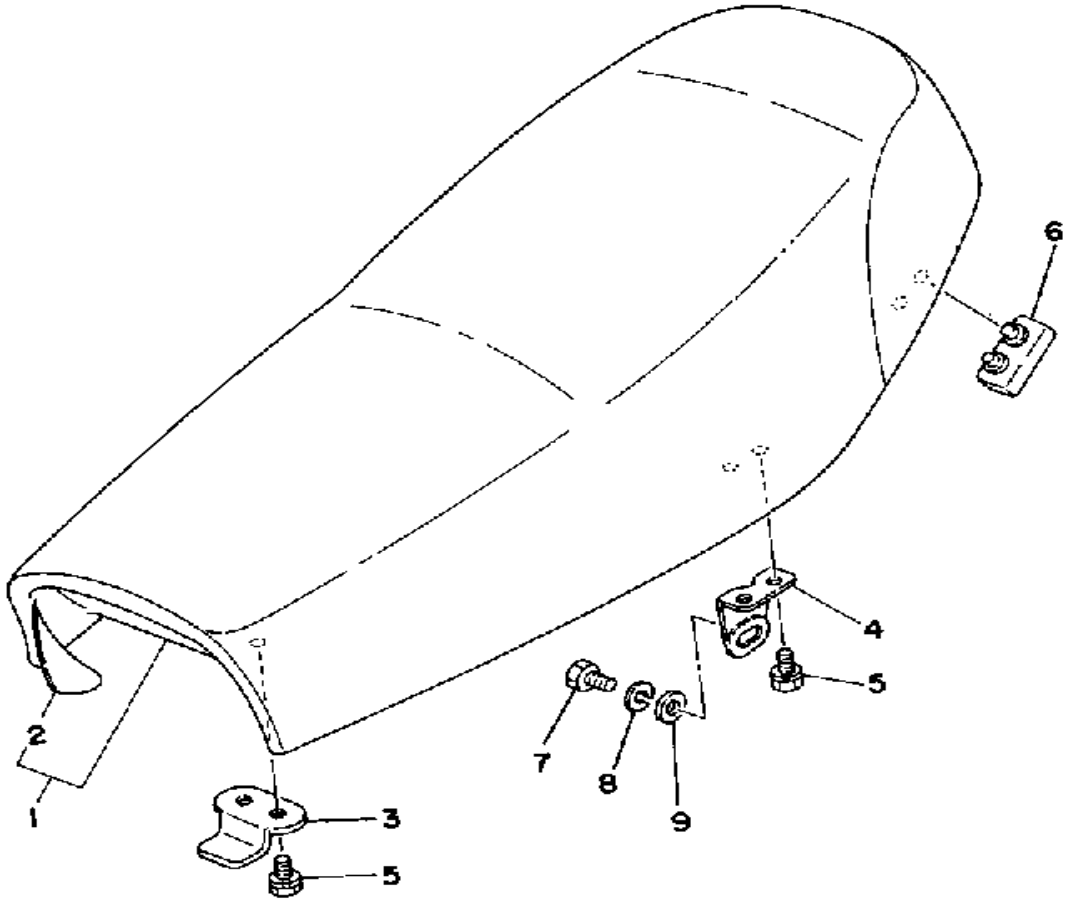
FUEL TANK



Ref. No.	Part Number	Description	Qty	Remarks
28	97313-08018-00	BOLT, HEXAGON (97301-08016)	1	
29	92990-08100-00	WASHER	1	
30	583-24181-00-00	DAMPER, LOCATING 1	2	
31	98580-05012-00	SCREW, PAN HEAD	2	
32	92990-05100-00	WASHER, SPRING	2	
33	583-24182-00-00	DAMPER, LOCATING 2	2	

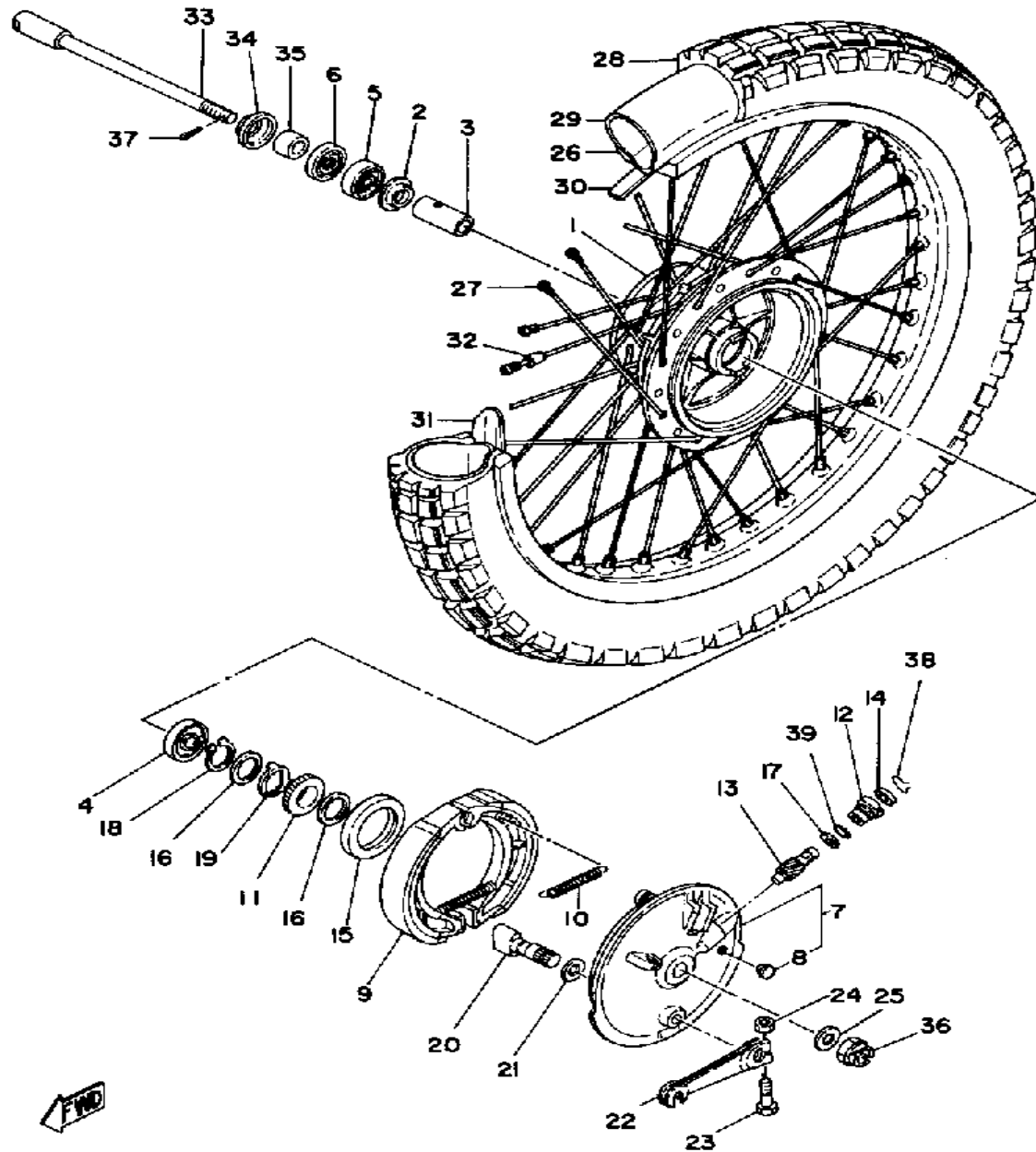
SEAT

Ref. No.	Part Number	Description	Qty	Remarks
1	3H7-W2472-00-00	DOUBLE SEAT ASSEMBLY ...	1	
2	3H7-24731-00-00	. COVER, DOUBLE SEAT	1	
3	2Y0-24748-00-00	BRACKET, SEAT	1	
4	1T1-24738-00-00	BRACKET, SEAT	2	
5	90101-06304-00	BOLT	6	
6	583-24724-00-00	DAMPER, SEAT	2	
7	97313-08016-00	BOLT, HEXAGON	2	
8	92990-08100-00	WASHER	2	
9	92901-08600-00	WASHER	2	



FWD

Minimum Brake Lining Thickness	Front: 2mm	Rear: 2mm
Tire Size (Nominal Pressure)	F: 3.00-21(1.5kg/cm ² /21 psi)	R: 4.00-18(1.5kg/cm ² /21 psi)

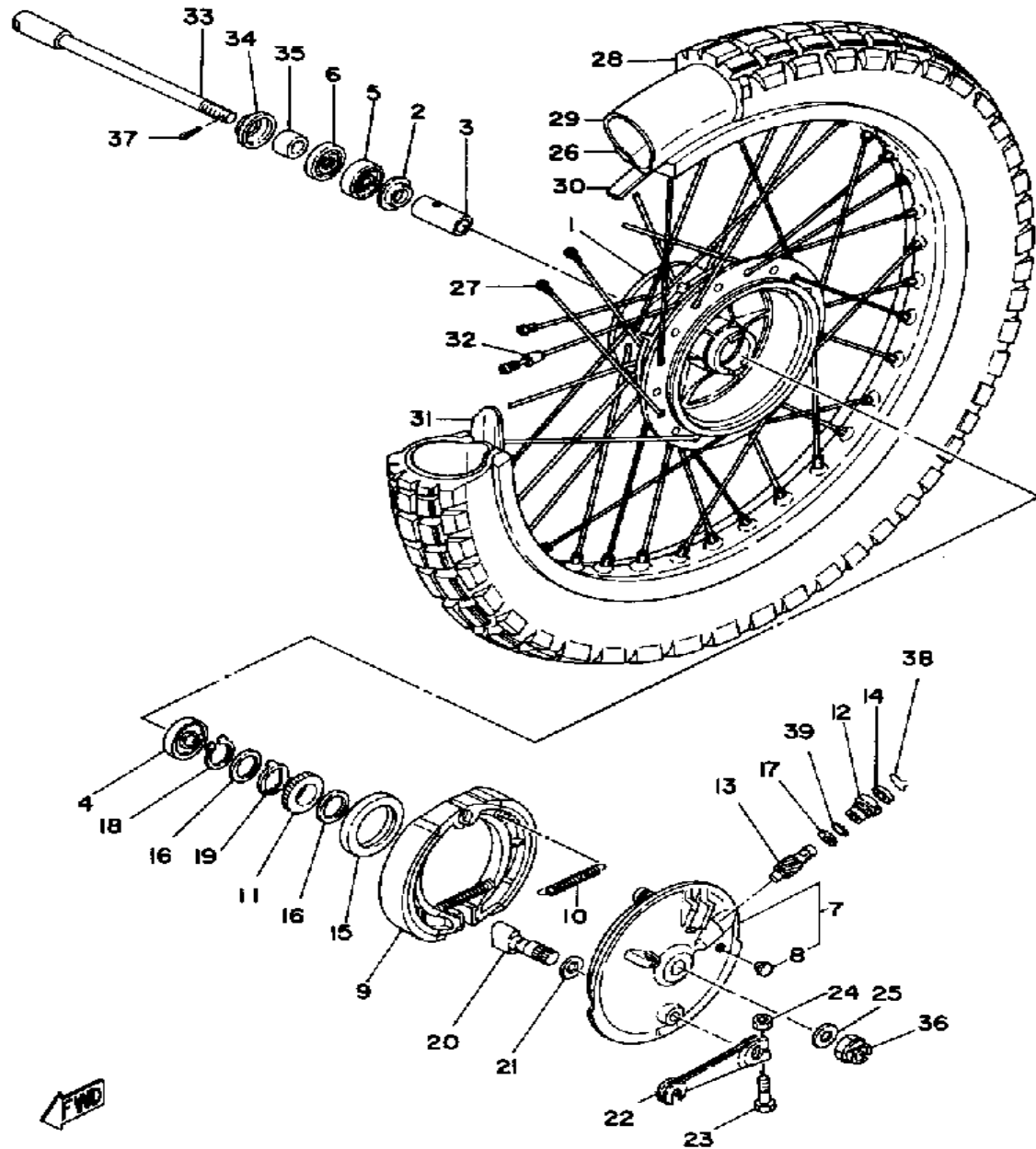


FRONT WHEEL

Ref. No.	Part Number	Description	Qty	Remarks
1	1E6-25111-00-98	HUB, FRONT	1	LOW GLOSS BLK
2	146-25116-00-00	FLANGE, SPACER 2	1	
3	90560-15293-00	SPACER	1	
4	93306-20226-00	BEARING	1	
5	93306-20209-00	BEARING (B6202)	1	
6	93102-20009-00	OIL SEAL	1	
7	2N6-25016-10-98	BRAKE SHOE PLT ASSEMBLY	1	LOW GLOSS BLK
8	90480-10068-00	. GROMMET	1	
9	431-W2536-00-00	BRAKESHOE SET-2PCS	2	
10	90507-20002-00	SPRING, TENSION	2	
11	308-25135-00-00	GEAR, DRIVE	1	
12	109-25136-00-00	BUSH	1	
13	308-25138-00-00	GEAR, METER	1	
14	93104-07003-00	OIL SEAL	1	
15	93105-50010-00	OIL SEAL, SDD-TYPE (SDD-50-62-7)	1	
16	90201-22283-00	WASHER, PLATE	2	
17	90201-07076-00	WASHER, PLATE	1	
18	93410-22014-00	CIRCLIP, S-TYPE	1	
19	214-25149-01-00	CLUTCH, METER	1	
20	1E6-25151-00-00	CAMSHAFT	1	
21	148-25353-00-00	SHIM, CAMSHAFT	1	
22	2N6-25155-00-00	LEVER, CAMSHAFT 1	1	
23	90101-06278-00	BOLT	1	
24	95380-06600-00	NUT	1	
25	92990-14200-00	WASHER, PLAIN	1	
26	94416-21326-00	RIM 1.60X 1	1	
27	1E6-25104-01-00	SPOKE SET, FRONT	1	
28	(94130-21350-00)	300X21 BS TW5A	1	

CONTINUED ON NEXT FRAME ►

Minimum Brake Lining Thickness	Front: 2mm	Rear: 2mm
Tire Size (Nominal Pressure)	F: 3.00-21(1.5kg/cm ² /21 psi)	R: 4.00-18(1.5kg/cm ² /21 psi)

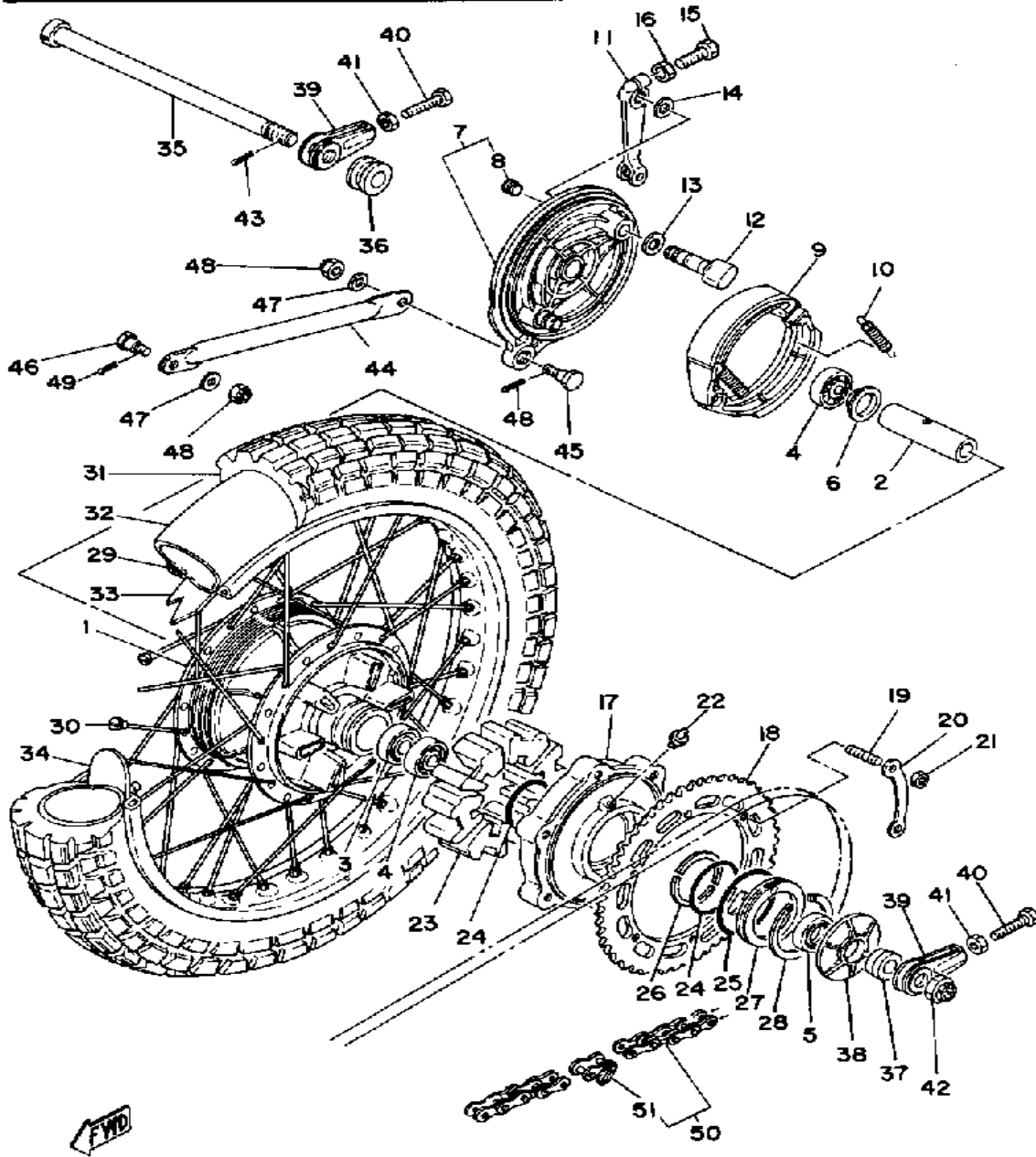


FRONT WHEEL

Ref. No.	Part Number	Description	Qty	Remarks
29	94227-21123-00	TUBE (2.75-21)	1	
30	94330-21084-00	BAND, RIM (3.00-21)	1	
31	1T1-25194-00-00	SPACER, BEAD	1	
32	156-25398-00-00	BALANCER, WHEEL	1	U.N.
33	1W1-25181-01-00	AXLE, WHEEL	1	
34	322-25118-00-00	COVER, HUB DUST	1	
35	90387-15720-00	COLLAR	1	
36	90171-14020-00	NUT, CASTLE	1	
37	91401-30030-00	PIN, COTTER	1	
38	102-25137-00-00	RING, STOP	1	
39	93210-14104-00	O-RING	1	

REAR WHEEL

Minimum Brake Lining Thickness	Front: 2mm	Rear: 2mm
Tire Size (Nominal Pressure)	F: 3.00-21(1.5kg/cm ² /21 psi)	R: 4.00-18(1.5kg/cm ² /21 psi)

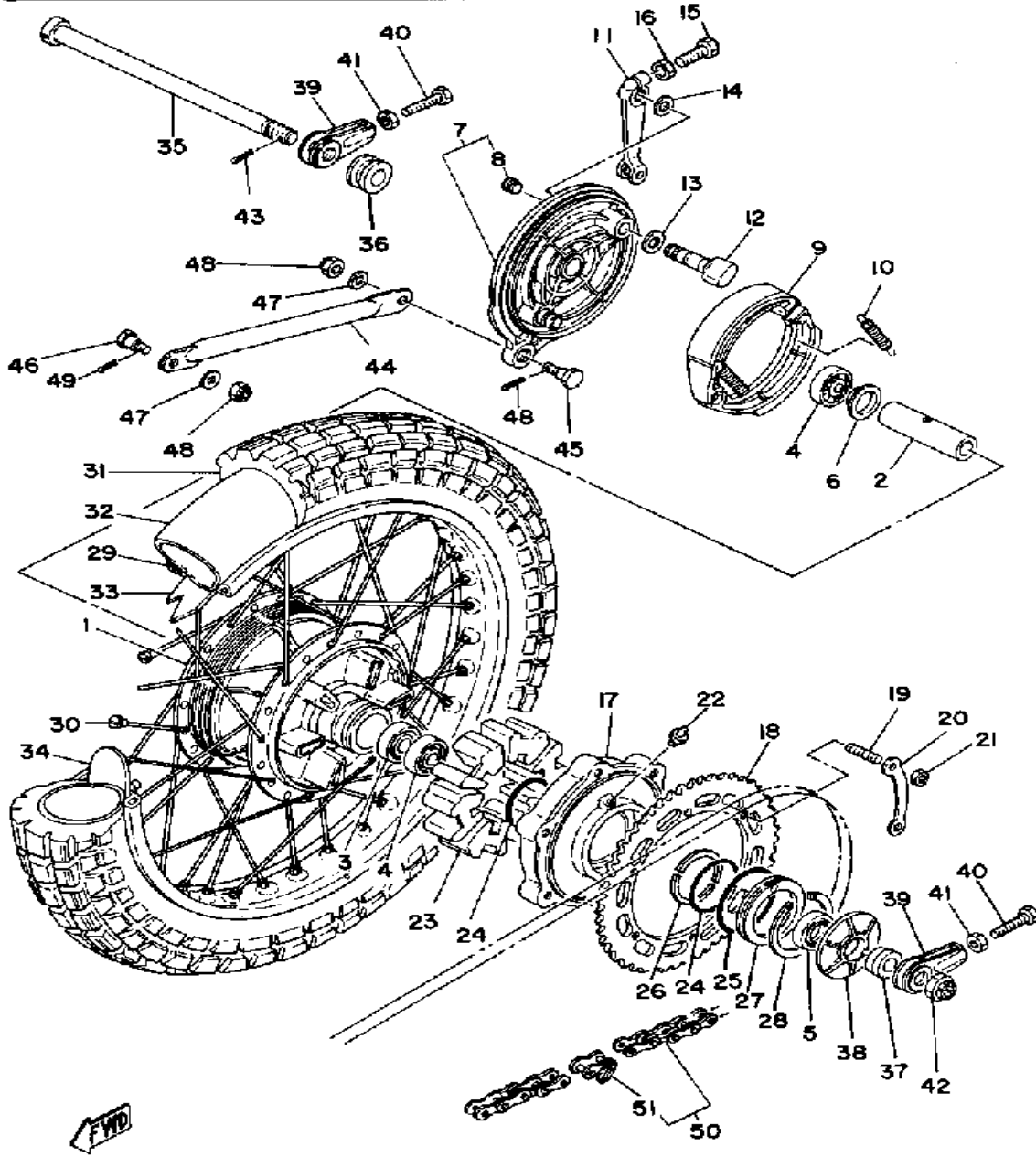


Ref. No.	Part Number	Description	Qty	Remarks
1	(1E6-25311-00-98)	HUB, REAR	1	LOW GLOSS BLK
2	90560-17311-00	SPACER	1	
3	93306-20310-00	BEARING	1	
4	93306-20310-00	BEARING	2	
5	93102-25061-00	OIL SEAL, SD-TYPE	1	
6	146-25315-00-00	FLANGE, SPACER	1	
7	1E6-25321-12-98	BRAKE SHOE PLT ASSEMBLY	1	LOW GLOSS BLK
8	90480-10068-00	. GROMMET	1	
9	214-W2535-00-00	BRAKESHOE SET-2PCS	2	
10	90507-20002-00	SPRING, TENSION	2	
11	3H7-25355-00-00	LEVER, CAMSHAFT	1	
12	214-25351-01-00	CAMSHAFT	1	
13	148-25353-00-00	SHIM, CAMSHAFT	1	
14	148-25359-00-00	SEAL, CAMSHAFT	1	
15	90101-06278-00	BOLT	1	
16	95380-06600-00	NUT	1	
17	1E6-25366-00-98	CLUTCH, HUB	1	LOW GLOSS BLK
18	38W-25444-20-00	SPROCKET, DRIVN 44T	1	
19	90116-08218-00	BOLT, STUD	6	
20	583-25412-00-00	WASHER	3	
21	90170-08193-00	NUT, HEXAGON	6	
22	93700-06M03-00	NIPPLE, GREASE	1	
23	1E6-25364-00-00	DAMPER	6	
24	93210-52312-00	O-RING	2	
25	93210-71311-00	O-RING	1	
26	1E6-25318-00-00	STOPPER, HUB	2	
27	1E6-25319-01-00	SEAL, HUB DUST	1	
28	93450-78080-00	CIRCLIP, INNER	1	
29	94418-18199-00	RIM 1.85X 8	1	

CONTINUED ON NEXT FRAME ➤

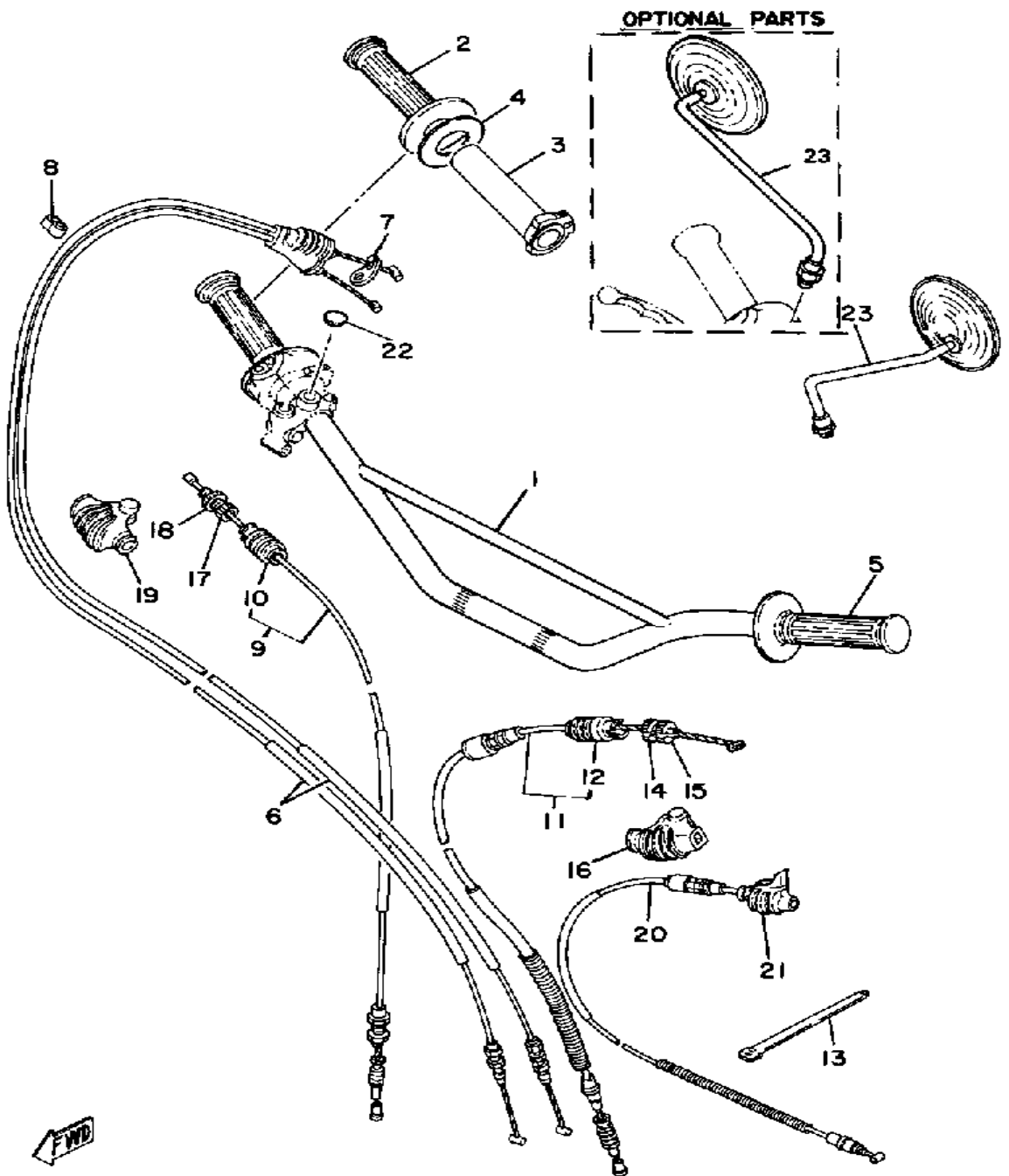
REAR WHEEL

Minimum Brake Lining Thickness	Front: 2mm	Rear: 2mm
Tire Size (Nominal Pressure)	F: 3.00-21(1.5kg/cm ² /21 psi)	R: 4.00-18(1.5kg/cm ² /21 psi)



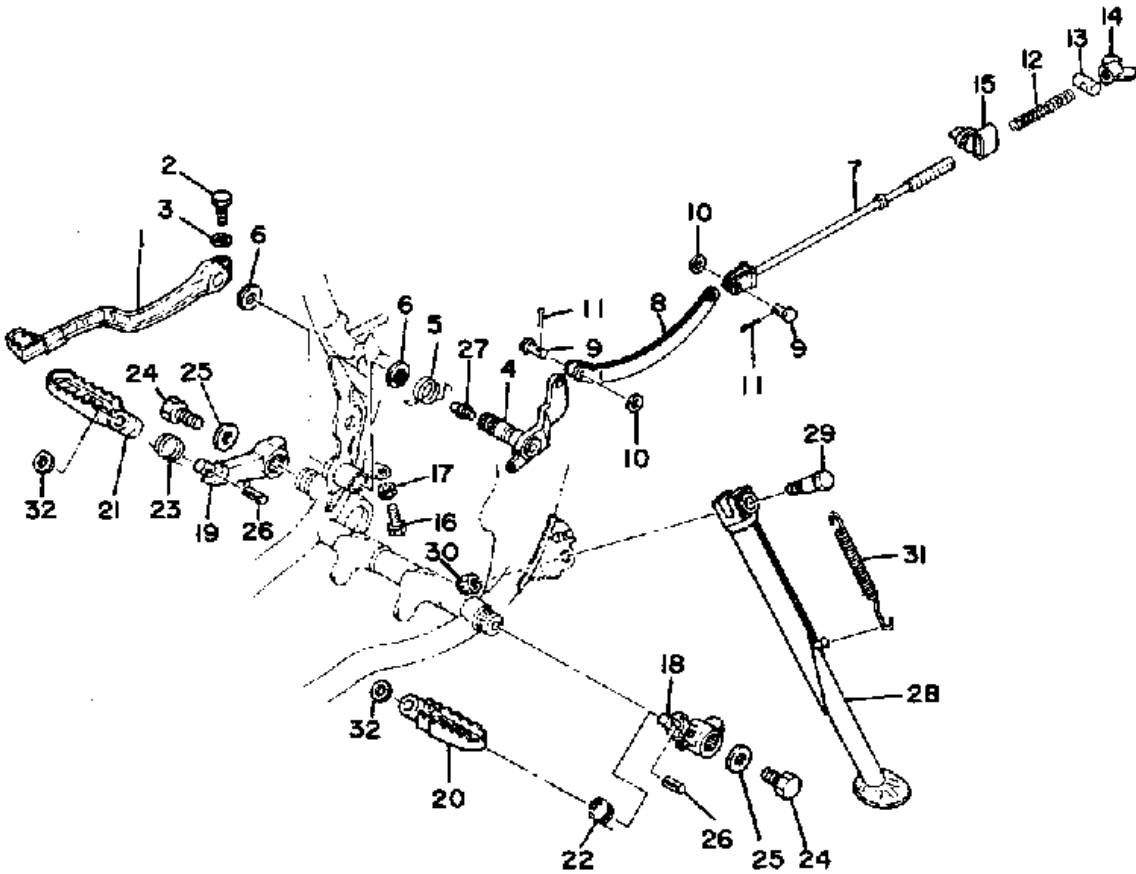
Ref. No.	Part Number	Description	Qty	Remarks
30	1E6-25304-00-00	SPOKE SET, REAR	1	
31	94140-18344-00	400X18 BS TW5A	1	
32	94240-18098-00	TUBE (4.00-18)	1	
33	94345-18081-00	BAND, RIM (4.50-18)	1	
34	1T2-25394-00-00	SPACER, BEAD	2	
35	150-25381-00-00	AXLE, WHEEL	1	
36	90387-17141-00	COLLAR	1	
37	90387-17530-00	COLLAR	1	
38	1E6-25367-00-00	COVER, HUB DUST	1	
39	48U-25388-00-00	PULLER, CHAIN 1	2	
40	90101-08699-00	BOLT	2	
41	95303-08700-00	NUT	2	
42	90171-16022-00	NUT, CASTLE	1	
43	91401-30030-00	PIN, COTTER	1	
44	3H7-25371-00-00	BAR, TENSION	1	
45	90109-08406-00	BOLT	1	
46	90109-08368-00	BOLT	1	
47	92990-08200-00	WASHER, PLAIN	2	
48	90185-08055-00	NUT, SELF-LOCKING	2	
49	91490-20020-00	PIN, COTTER	2	
50	94585-20100-00	CHAIN 520DS-100L	1	
51	94685-20011-00	. JOINT CHAIN	1	

STEERING HANDLE - CABLE



Ref. No.	Part Number	Description	Qty	Remarks
1	3H7-26111-00-00	HANDLEBAR	1	
2	583-26242-00-00	GRIP RH	1	
3	2H0-26243-00-00	TUBE, THRTL GUIDE	1	
4	1W1-26249-00-00	RING, leaf	1	
5	1E6-26241-00-00	GRIP LH	1	
6	583-26301-00-00	THROTTLE CABLE ASSEMBLY	1	
7	583-26398-00-00	WASHER	1	
8	90468-15009-00	CLIP	1	
9	3H7-26341-01-00	CABLE, BRAKE	1	
10	1E6-26342-00-00	. BOOT, CABLE	1	
11	1E6-26335-01-00	CABLE, CLUTCH	1	
12	1E6-26342-00-00	. BOOT, CABLE	1	
13	341-26397-01-00	BAND	1	
14	90123-08046-00	BOLT	1	
15	90179-08148-00	NUT	1	
16	1E6-26372-00-00	COVER, HANDLE LEVER 1 ...	1	
17	90123-08046-00	BOLT	1	
18	90179-08148-00	NUT	1	
19	1E6-26372-00-00	COVER, HANDLE LEVER 1 ...	1	
20	1E6-26331-00-00	CABLE, STARTER 1	1	
21	583-26352-00-00	COVER, DECOMPRESSION CABLE	1	
22	90338-09012-00	PLUG	1	
23	1Y1-26290-10-00	MIRROR ASSEMBLY LH	1	
	341-26290-01-00	BACK MIRROR RH (341-26290-01)	1	OPTIONAL PART

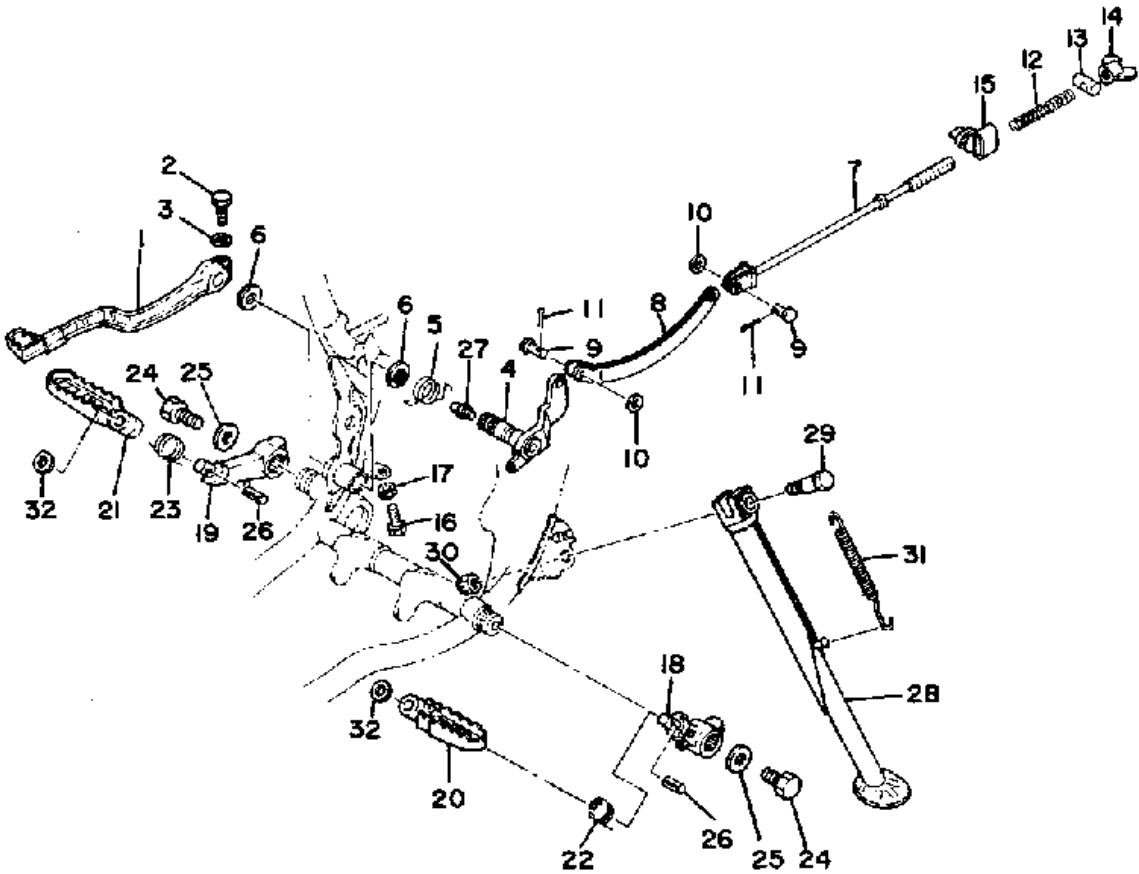
STAND - FOOTREST



Ref. No.	Part Number	Description	Qty	Remarks
1	1U6-27211-00-93	PEDAL, BRAKE	1	BLACK
2	90109-06470-00	BOLT	1	
3	92995-06100-00	WASHER, SPRING	1	
4	1E6-27252-00-00	LEVER, BRAKE PEDAL	1	
5	90508-32278-00	SPRING, TORSION	1	
6	498-27235-00-00	COVER, DUST	2	
7	583-27231-00-00	ROD, BRAKE	1	
8	583-27241-00-00	ROD, JOINT	1	
9	90240-08051-00	PIN, CLEVIS	2	
10	90201-08624-00	WASHER, PLATE	2	
11	91490-20020-00	PIN, COTTER	2	
12	90501-10245-00	SPRING, COMPRESSION	1	
13	90249-12008-00	PIN	1	
14	90179-06411-00	NUT	1	
15	1E6-27244-00-00	COVER	1	
16	90153-06008-00	SCREW, HEXAGON	1	
17	90170-06184-00	NUT, HEXAGON	1	
18	2Y0-27412-00-33	BRACKET, FOOTREST 1	1	
19	2Y0-27422-00-33	BRACKET, FOOTREST 2	1	
20	583-27411-00-00	FOOTREST 1	1	
21	583-27421-00-00	FOOTREST 2	1	
22	90508-26277-00	SPRING, TORSION	1	
23	90508-26276-00	SPRING, TORSION	1	
24	97011-10016-00	BOLT, HEXAGON	2	
25	90201-12631-00	WASHER, PLATE	2	
26	91609-30020-00	PIN, SPRING	2	
27	93700-06M03-00	NIPPLE, GREASE	1	
28	2Y0-27311-00-33	STAND, SIDE	1	
29	90109-103A1-00	BOLT	1	

CONTINUED ON NEXT FRAME ➤

STAND - FOOTREST

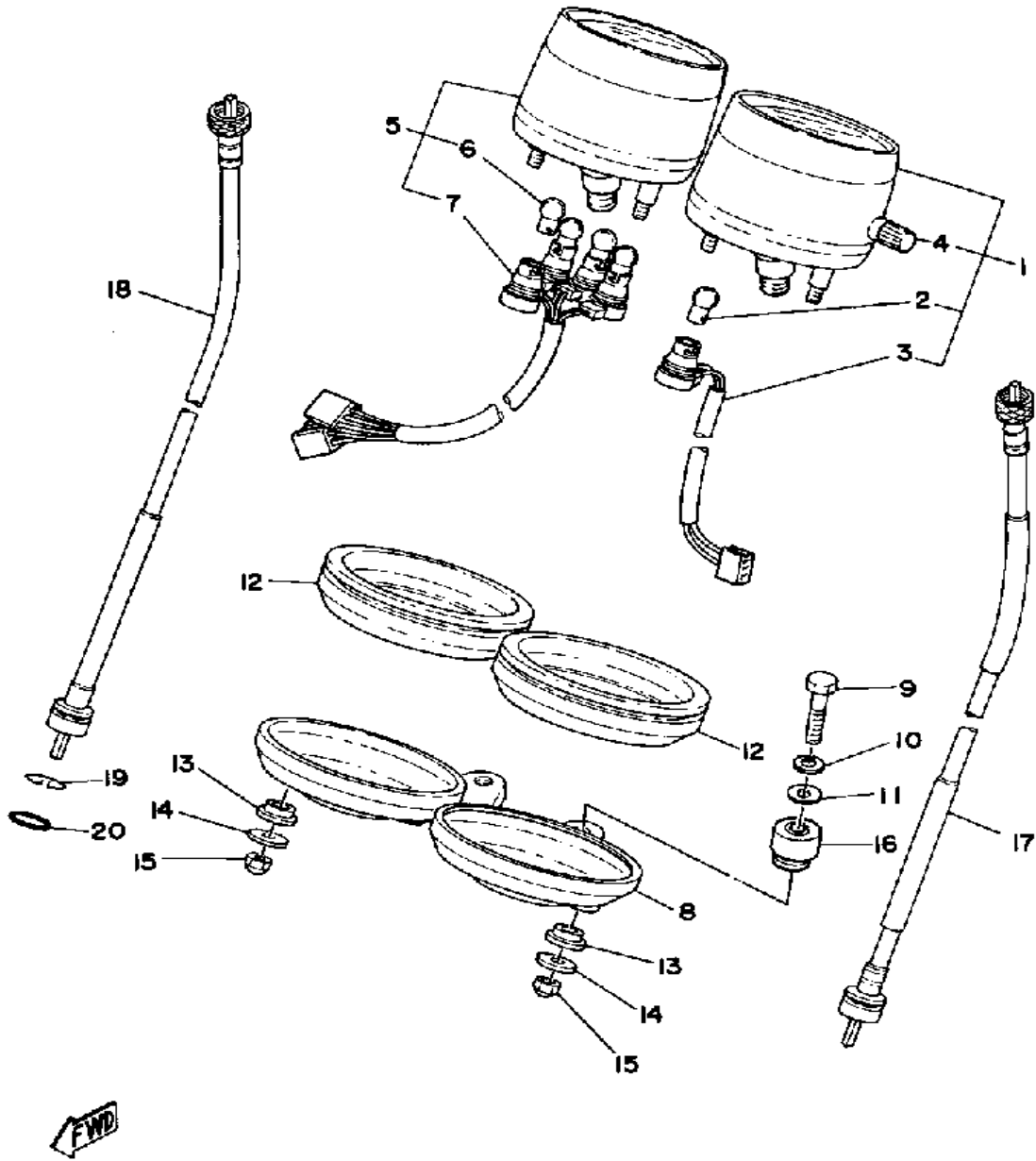


Ref. No.	Part Number	Description	Qty	Remarks
30	90185-10037-00	NUT, SELF-LOCKING	1	
31	90507-29021-00	SPRING, TENSION	1	
32	90201-10639-00	WASHER, PLATE	2	



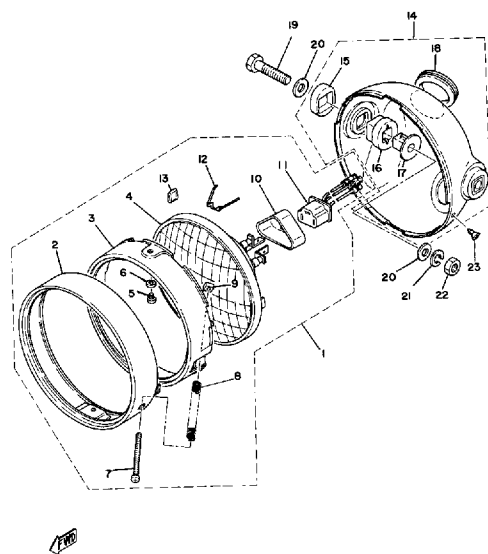
SPEEDOMETER - TACHOMETER

Headlight / Taillight / Signal Rating	6V35-35W / 6V25-5.3W / 6V17W
---------------------------------------	------------------------------



Ref. No.	Part Number	Description	Qty	Remarks
1	3H6-83570-A0-00	SPEEDOMETER ASSEMBLY ..	1	
2	122-83516-10-00	. BULB (122-83516-10)	1	
3	(1E6-83536-60-00)	SOCKET, METER	1	
4	1E6-83578-10-00	. KNOB, TRIP METER	1	
5	56U-83540-F0-00	TACHOMETER ASSEMBLY ...	1	
6	122-83516-10-00	. BULB (122-83516-10)	4	
7	(1E6-83520-60-00)	SOCKET CORD ASSEMBLY ..	1	
8	1E6-83519-60-00	BRACKET, METER	1	
9	97013-06035-00	BOLT	2	
10	92995-06100-00	WASHER, SPRING	2	
11	90201-062G3-00	WASHER, PLATE	2	
12	1E6-83523-60-00	DAMPER	2	
13	1E6-83526-60-00	DAMPER 2	4	
14	90201-052E2-00	WASHER, PLATE	4	
15	95303-05800-00	NUT (CROWN)	4	
16	1E6-23445-00-00	DAMPER	2	
17	1M1-83550-01-00	SPEEDOMETER CABLE (3H6-83550-00)	1	
18	1E6-83560-52-00	TACHOMETER CABLE	1	
19	102-25137-00-00	RING, STOP	1	
20	93210-14104-00	O-RING	1	

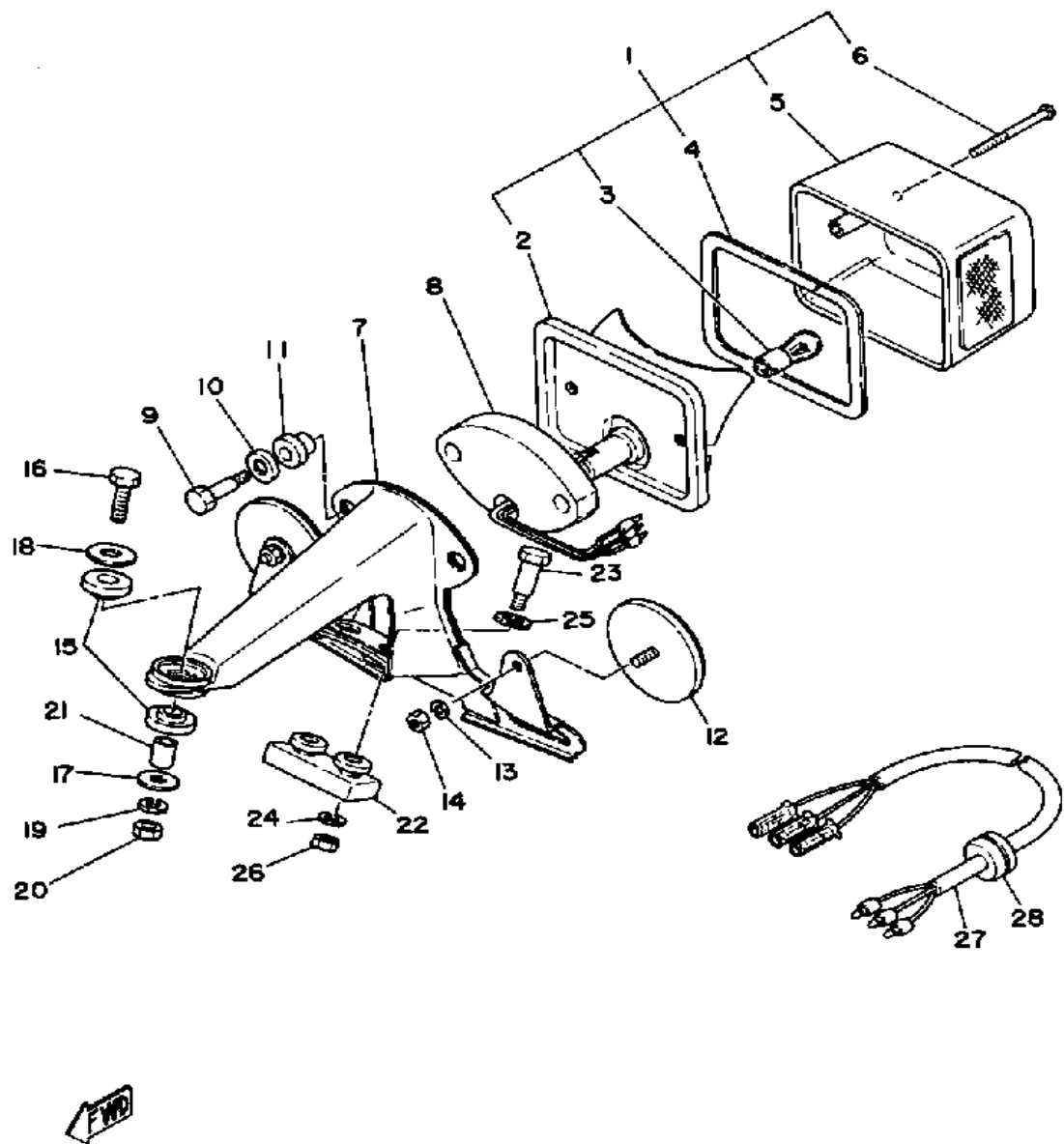
Headlight / Taillight / Signal Rating 6V36-30W / 6V25.5-3W / 6V17W



HEADLIGHT

Ref. No.	Part Number	Description	Qty	Remarks
1	2H0-84110-60-00	UNAVAILABLE IN PRICE BOOK	1	
2	498-84115-60-00	. RIM, HEADLIGHT	1	
3	498-84195-60-00	. RING, RETAINING	1	
4	2A6-84120-60-00	. LENS ASSEMBLY	1	
5	438-84194-60-00	. RING, MOUNTING	2	
6	92990-05100-00	. WASHER, SPRING	2	
7	447-84331-61-00	. SCREW, RIM ADJUSTING	1	
8	447-84332-60-00	. SPRING, SCREW	1	
9	198-84334-60-00	. NUT, ADJUSTING	1	
10	341-84397-61-00	. COVER, SOCKET	1	
11	371-84312-60-00	. SOCKET	1	
12	1M1-84124-60-00	. SPRING, SET	3	
13	498-84128-60-00	. SPACER	1	
14	(1E6-84130-60-33)	BODY ASSEMBLY, HEADLIGHT	1	YAMAHA BLACK
15	498-84164-60-00	. DAMPER	2	
16	498-84163-60-00	. DAMPER	2	
17	498-84145-60-00	. COLLAR, BODY FITTING	2	
18	214-84153-60-00	. GROMMET, WIREHERNESS	1	
19	97313-08040-00	BOLT, HEXAGON (97322-08040)	2	
20	92990-08200-00	WASHER, PLAIN	4	
21	92990-08100-00	WASHER	2	
22	95333-08600-00	NUT	2	
23	90152-05005-00	SCREW, COUNTERSUNK	1	

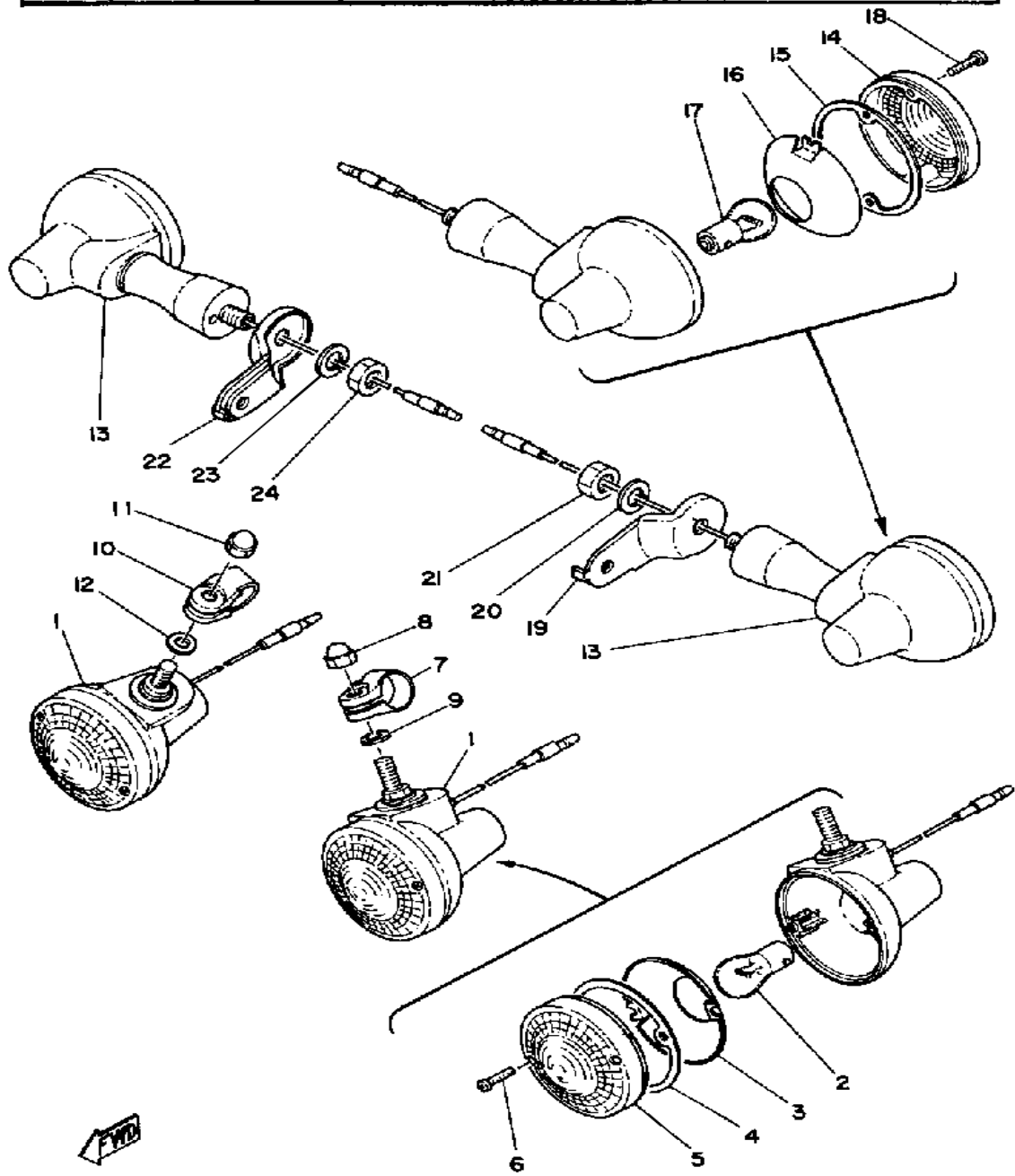
Headlight / Taillight / Signal Rating	6V35-35W / 6V25-5.3W / 6V17W
---------------------------------------	------------------------------



TAILLIGHT

Ref. No.	Part Number	Description	Qty	Remarks
1	1M1-84510-60-00	TAILLIGHT UNIT ASSEMBLY ..	1	
2	1M1-84511-60-00	. BASE, TAILLIGHT	1	
3	1M1-84514-60-00	. BULB	1	
4	1M1-84523-60-00	. GASKET, LENS	1	
5	1M1-84521-60-00	. LENS, TAILLIGHT	1	
6	1M1-84524-60-00	. SCREW, LENS FITTING	2	
7	1T2-84551-60-33	BRACKET, LICENCE	1	YAMAHA BLACK
8	1T2-84512-60-00	SEAT, BASE	1	
9	1T2-84526-60-00	SCREW	2	
10	2H7-84754-00-00	WASHER, SPECIAL	2	
11	1M1-84527-60-00	DAMPER	2	
12	449-85131-02-00	REFLECTOR, REAR 1	2	
13	92990-05100-00	WASHER, SPRING	2	
14	95380-05600-00	NUT	2	
15	322-21541-00-00	DAMPER 1	2	
16	97021-06030-00	BOLT	1	
17	90201-06061-00	WASHER, PLATE	1	
18	90201-06073-00	WASHER, PLATE	1	
19	92995-06100-00	WASHER, SPRING	1	
20	95380-06600-00	NUT	1	
21	90387-07598-00	COLLAR	1	
22	308-84553-00-00	DAMPER	1	
23	90109-06022-00	BOLT (338-84552-00)	2	
24	92995-06100-00	WASHER, SPRING	2	
25	90209-08125-00	WASHER	2	
26	95380-06600-00	NUT	2	
27	1E6-84517-00-00	CORD, TAILLIGHT	1	
28	90480-15061-00	GROMMET	2	

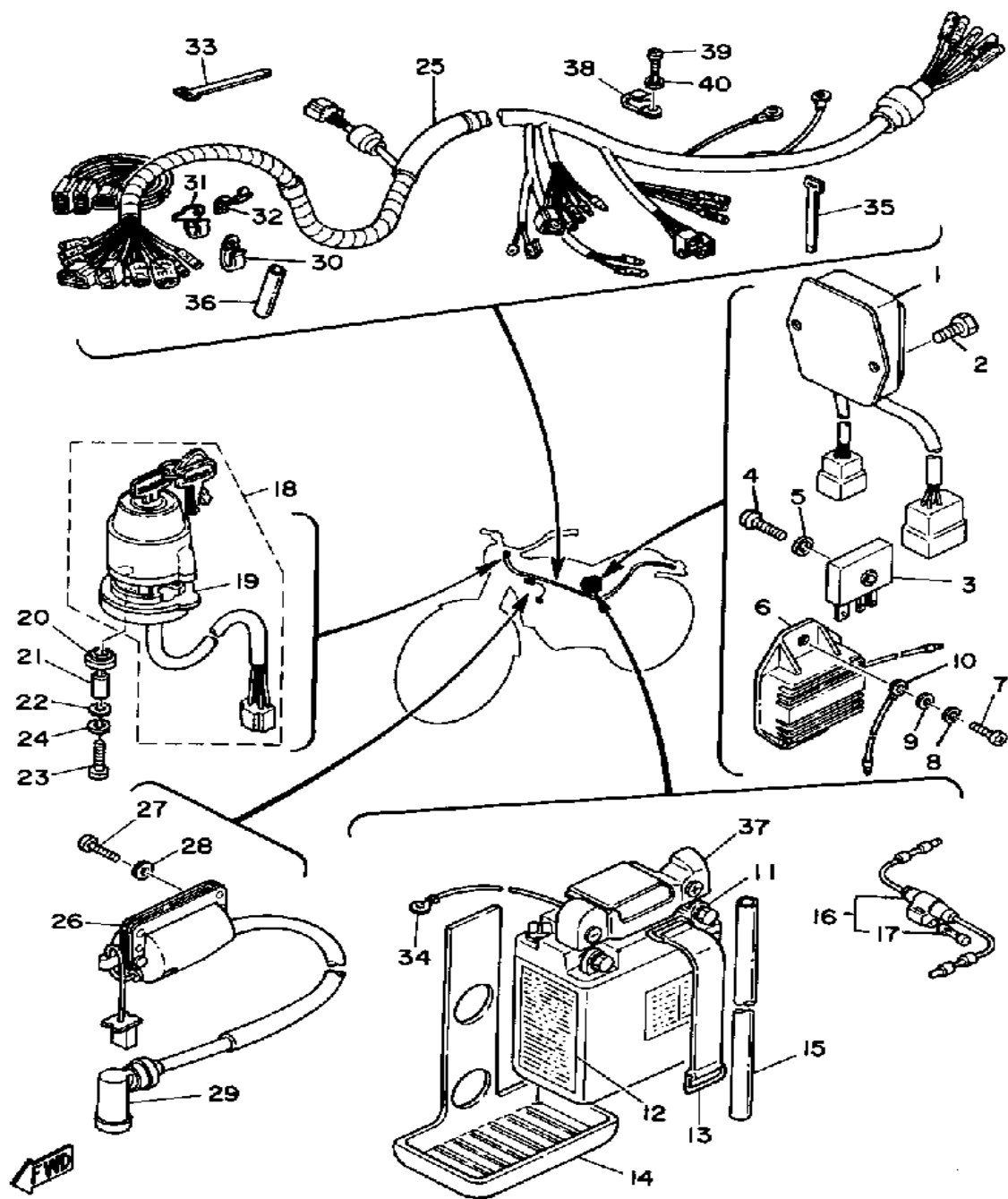
Headlight / Taillight / Signal Rating 6V36-35W / 6V25-5.3W / 6V17W



FLASHER LIGHT

Ref. No.	Part Number	Description	Qty	Remarks
1	1M1-83310-60-00	FRT FLSHR LITE ASSEMBLY ASS'Y 1	2	
2	115-83311-60-00	. BULB, FLASHER	1	
3	1M1-83309-60-00	. REFLECTOR	1	
4	1M1-83313-60-00	. GASKET, FLSHR LENS	1	
5	341-83312-70-00	. LENS, FLASHER	1	
6	97780-30120-00	. SCREW, PANHEAD TAP	2	
7	1M1-83318-00-00	STAY, FLASHER 1	1	
8	95303-08800-00	NUT (CROWN) (95301-08800)	1	
9	90201-08452-00	WASHER, PLATE	1	
10	1M1-83318-00-00	STAY, FLASHER 1	1	
11	95303-08800-00	NUT (CROWN) (95301-08800)	1	
12	90201-08452-00	WASHER, PLATE	1	
13	1T9-83330-60-00	R FLSHR LITE ASSEMBLY	2	
14	341-83312-70-00	. LENS, FLASHER	1	
15	1M1-83313-60-00	. GASKET, FLSHR LENS	1	
16	1M1-83309-60-00	. REFLECTOR	1	
17	115-83311-60-00	. BULB, FLASHER	1	
18	97780-30120-00	. SCREW, PANHEAD TAP	2	
19	1T2-83368-00-00	STAY, FLASHER	1	
20	92990-10100-00	WASHER, SPRING	1	
21	95303-10600-00	NUT (95301-10600)	1	
22	1T2-83369-00-00	STAY, FLASHER	1	
23	92990-10100-00	WASHER, SPRING	1	
24	95303-10600-00	NUT (95301-10600)	1	

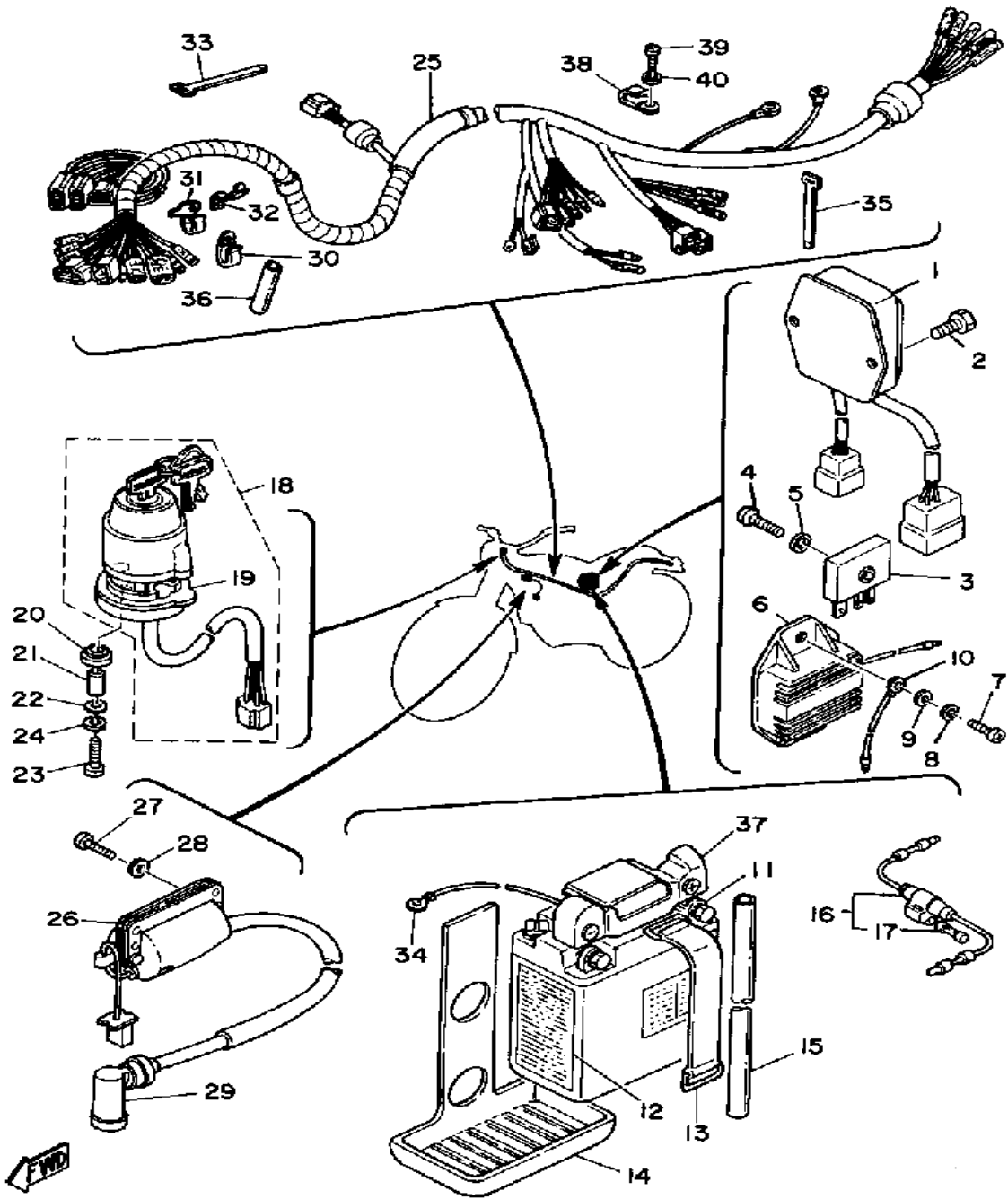
ELECTRICAL 1



Ref. No.	Part Number	Description	Qty	Remarks
1	3H6-85540-50-00	CDI UNIT ASSEMBLY	1	
2	90109-06557-00	BOLT	2	
3	353-81970-63-00	RECTIFIER ASSEMBLY	1	U.R.
4	98580-05016-00	SCREW, PAN HEAD	1	
5	92901-05600-00	WASHER, PLATE	1	
6	(3H6-81910-61-00)	VOLTAGE REG. ASSEMBLY	1	
7	98503-06014-00	SCREW, PAN HEAD (92502-06016)	2	
8	92995-06100-00	WASHER, SPRING	2	
9	90201-061A5-00	WASHER, PLATE	2	
10	(47X-82519-00-00)	WIRE, EARTH LEAD	1	
11	BTY-6N63B-10-00	YUASA 6N6-3B-1 (1E6-82110-29)	1	
12	118-82141-09-00	LABEL, BATTERY	1	
13	1E6-82131-00-00	BAND, BATTERY	1	
14	1E6-82122-01-00	SEAT, BATTERY	1	
15	90445-08336-00	HOSE	1	
16	1E6-82150-00-00	FUSE HOLDER ASSEMBLY	1	
17	1E6-82151-00-00	. FUSE (10A)	2	
18	1E6-82508-01-00	MAIN SWITCH ASSEMBLY	1	
19	437-82555-00-00	. DAMPER, MAIN SWCH 1SWITCH 1	1	
20	1M1-82556-00-00	DAMPER, STOPPER	2	
21	437-82516-00-00	COLLAR, MAIN SWITCH	2	
22	90201-05031-00	WASHER, PLATE	2	
23	98503-05025-00	SCREW, PAN HEAD (98501-05025)	2	
24	92990-05100-00	WASHER, SPRING	2	
25	(3H6-82590-60-00)	WIRE HARNESS ASSEMBLY	1	
26	2J2-82310-51-00	IGNITION COIL ASSEMBLY	1	

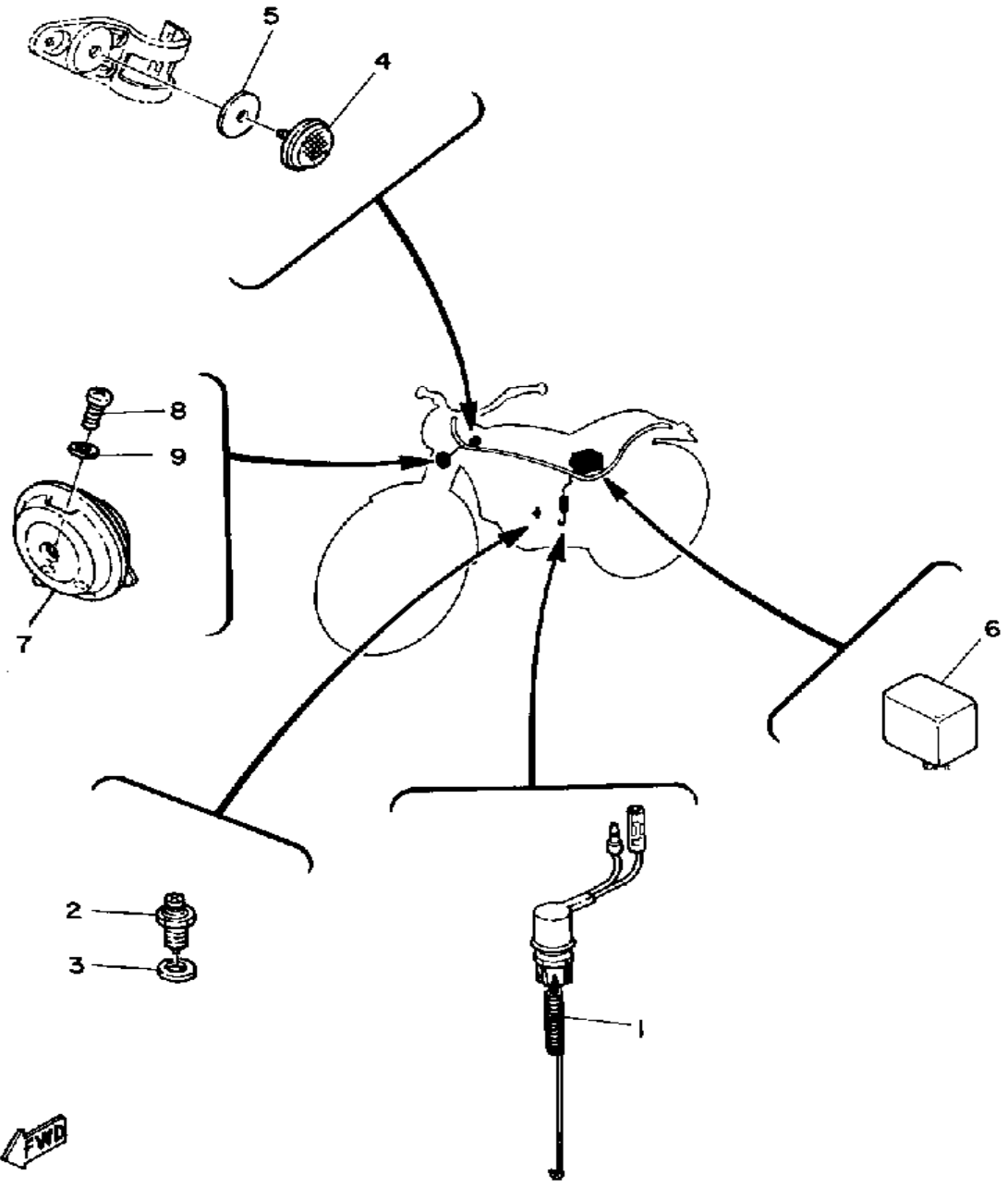
CONTINUED ON NEXT FRAME ►

ELECTRICAL 1



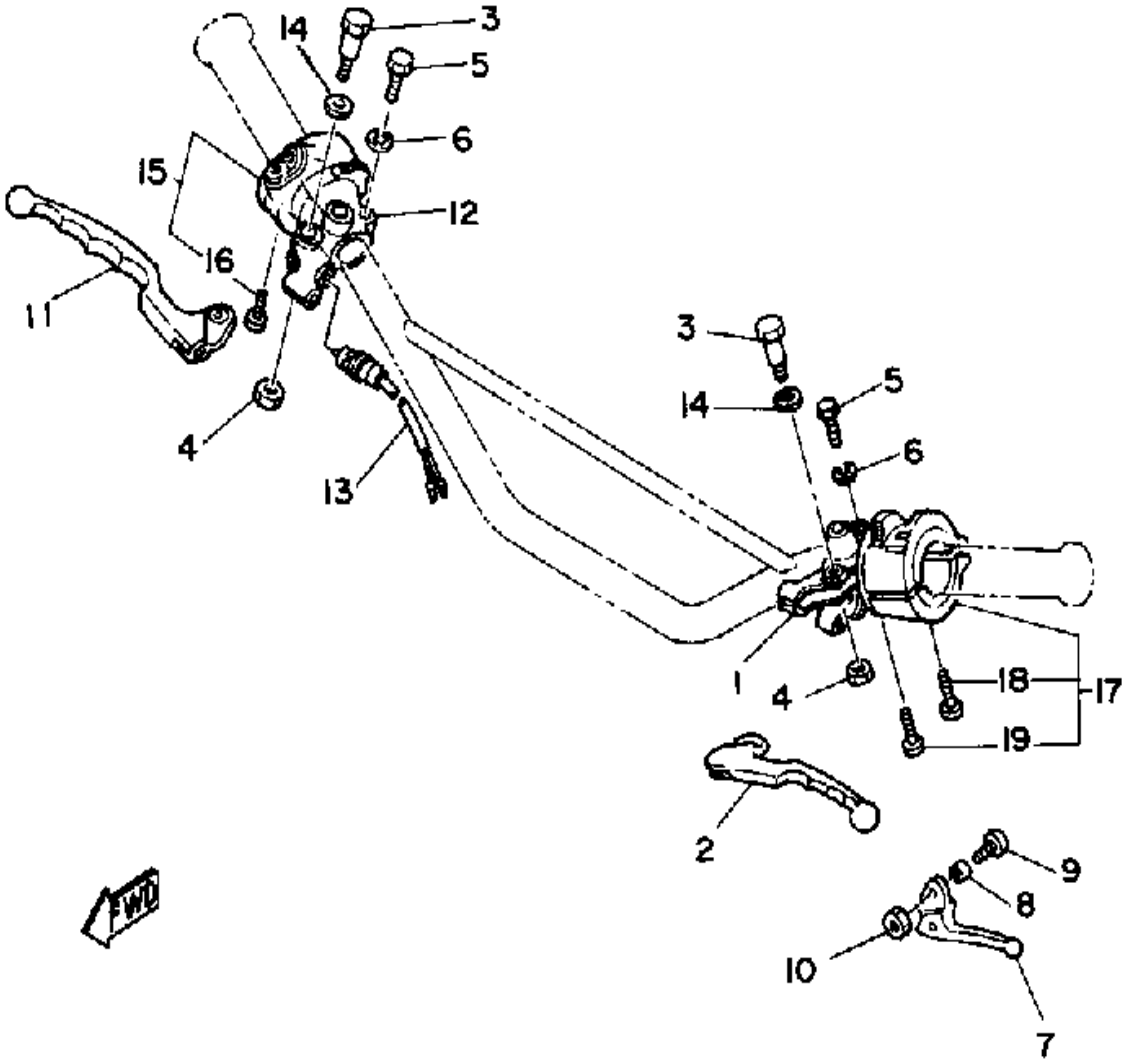
Ref. No.	Part Number	Description	Qty	Remarks
27	98580-06020-00	SCREW	2	
28	90201-061A5-00	WASHER, PLATE	2	
29	512-82370-10-00	PLUG CAP ASSEMBLY	1	OPTIONAL PART
	56J-82370-00-00	PLUG CAP ASSEMBLY	1	
30	(90465-10018-00)	CLAMP	1	
31	90465-10090-00	CLAMP	1	
32	(90465-08144-00)	CLAMP	1	
33	437-83936-01-00	BAND, SWITCH CORD	5	
34	5F7-82519-00-00	WIRE, EARTH LEAD	1	
35	437-83936-01-00	BAND, SWITCH CORD	1	
36	(90446-07114-00)	HOSE	1	
37	1E6-82129-00-00	COVER, BATTERY	1	
38	90465-08028-00	CLAMP	1	
39	98503-06014-00	SCREW, PAN HEAD (92502-06016)	1	
40	92995-06100-00	WASHER, SPRING	1	

ELECTRICAL 2



Ref. No.	Part Number	Description	Qty	Remarks
1	1T2-82530-02-00	STOP SWITCH ASSEMBLY ...	1	
2	2H7-82540-00-00	NEUTRAL SWITCH ASSEMBLY	1	
3	90430-10171-00	GASKET	1	
4	355-85111-01-00	REFLECTOR, FRONT 1	2	
5	90430-06012-00	GASKET	2	
6	3BK-83350-00-00	FLASHER RELAY ASSEMBLY .	1	
7	3H7-83371-00-00	HORN (25G-83371-00)	1	
8	98501-08012-00	SCREW, PAN HEAD	1	
9	92990-08100-00	WASHER	1	

HANDLE SWITCH - LEVER



Ref. No.	Part Number	Description	Qty	Remarks
1	583-82911-02-00	HOLDER, LEVER 1	1	LOW GLOSS BLK
2	2H0-83912-30-00	LEVER L	1	LOW GLOSS BLK
3	90109-06797-00	BOLT	2	
4	95601-06100-00	NUT, U	2	
5	97003-06022-00	BOLT, HEXAGON (97301-06022)	2	
6	92995-06100-00	WASHER, SPRING	2	
7	583-83981-00-00	LEVER, DECOMPRESSION	1	
8	583-83913-00-00	COLLAR, decompression lever	1	
9	98501-05018-00	SCREW, PAN HEAD	1	
10	95601-05100-00	NUT, U	1	
11	2H0-83922-30-00	LEVER R	1	LOW GLOSS BLK
12	361-82920-93-00 (36182-92131-00)	HOLDER, LEVER 2	1	
13	395-83980-00-00	STOP SWITCH ASSEMBLY	1	
14	90201-08083-00	WASHER, PLATE	2	
15	3H6-83976-00-00	SWITCH, HANDLE 1	1	
16	98501-05018-00	. SCREW, PAN HEAD	2	
17	1M1-83973-50-00	SWITCH, HANDLE 3	1	
18	98580-05020-00	. SCREW, PAN HEAD	1	
19	98501-05030-00	. SCREW, PAN HEAD	1	

XT500G 1980 SERVICE DATA

MOTORCYCLE
M79-053

MODEL - IBM I.D. NUMBER	XT500G	3H6
Initial Engine Number/Frame Number	3H6-000101 / 3H6-000101	
Basic Color(s)	New Yamaha Black	
Fuel Type/Fuel Tank Capacity/Reserve Capacity	Regular / 8.5 lit. (2.2 gal.) / 1.9 lit. (0.5 gal.)	
Dry Vehicle Weight	138 kg (304 lbs.)	
ENGINE TYPE	4-Stroke, Air-Cooled, SOHC	
Bore/Stroke/Number Cylinders/Displacement (cc)	87mm / 84mm / 1 / 499cc	
Compression Ratio/Compression Pressure min ~ max	9.0: 1 / 9.5 ~ 10.5 kg/cm ²	
Piston Skirt Clearance new/max.	0.050 ~ 0.055 / 0.1mm	
Ring End Gap top/2nd/3rd	0.3 ~ 0.5mm / 0.3 ~ 0.5mm / 0.2 ~ 0.9mm	
Valve Clearance (cold) Intake/Exhaust	0.10mm / 0.15mm	
Oil Pressure hot/rpm	φ	
Oiling System	Dry Sump	
Capacity: Dry	2400cc	
Oil and Filter Change	2100cc	
Oil Change	2000cc	
Lubricant: Temp above 5°C (40°F)	Yamalube 4* or SAE 20W40SE	
Below 15°C (60°F)	Yamalube 4* or SAE 20W40SE	
AUTOLUBE - Min. Stroke/Color Code	φ	
Minimum Output @ 200 cycles	φ	
Maximum Output @ 200 cycles	φ	
CARBURETOR - Mfr./Type/I.D. Number	Mikuni / VM32SS / 3H6-00	
Main Jet/Pilot Jet	250 / 20	
Needle Jet/Jet Needle-Clip Position	P-8 / 5FL34-Fixed	
Slide Cutaway or Throttle Valve	3.5	
Float Level	23.5 ± 1mm	
Idle RPM	1200 rpm	
CO % @ Idle (Diagnostic Use Only)	N/A	
SUSPENSION		
Front Forks: Oil Type/Level/Qty.	10 wt. Fork Oil* / φ / 238cc	
Gas Pressure	φ	
Spring Length Std.	481mm	
Monoshock: Oil Type/Qty.	φ	
Gas Pressure	φ	
Minimum Brake Lining Thickness	Front: 2mm Rear: 2mm	
Tire Size (Nominal Pressure)	F: 3.00-21(1.5kg/cm ² /21 psi) R: 4.00-18(1.5kg/cm ² /21 psi)	
TRANSMISSION - Oil Type/Qty Chg/Qty Reassemble	See ENGINE above	
Primary Drive Type/Teeth/Ratio	Spur Gear / 77-30 / 2.566	
Secondary Drive Type/Teeth/Chain	Chain / 44-16 / DID520Us-100L	
Clutch Friction Plate Thickness Std ~ min.	2.8mm ~ 2.5mm	
Clutch Spring Length Std ~ min.	41.2mm ~ 40.0mm	
Middle Gear Case Capacity	φ	
Final Gear Case Capacity	φ	
Gear Case Lubricant: Temp above 5°C (40°F)	φ	
Temp below 15°C (60°F)	φ	
All Weather Conditions	φ	

Service Copy: _____ Service Mgr. _____ Mechanic _____ Mechanic _____ Mechanic _____ Binder

Office Copy: _____ General Mgr. _____ Sales _____ Parts _____ Binder

©1979 YAMAHA MOTOR CORPORATION, U.S.A. CYPRESS, CALIF.

November 15, 1979 PAGE 1 OF 2

CHARGING SYSTEM	Flywheel Magneto / Single Phase / Half Wave	
Battery: Model / Spec. Grav. / Chg. Rate	G.S. 6N6-38 (6V6AH) / 1.26 / 0.6A	
Maximum Output	8.4V 2A @ 4000 rpm	
TROUBLESHOOTING		
Field Coil Color Code / Ω	φ	
Charge Coil Color Code / Ω	Wht ~ Blk / 0.28 Ω ± 10%	
IGNITION SYSTEM	Capacitor Discharge Ignition	
Ignition Timing	7° Mark	
	Std: 7° @ 1200 rpm Adv: 33.5° @ 7000 rpm	
Spark Plug Type	NGK BP6ES	
Spark Plug Gap / Torque / Cap Ω	0.7 ~ 0.8mm / 2.0 m·kg / 5K Ω ± 10%	
Point Gap / Condenser Capacitance	φ / φ	
TROUBLESHOOTING		
Ignition Coil Test Gap / Primary Ω / Secondary Ω	6mm / 0.98 Ω ± 10% / 12K Ω ± 20%	
Pulse Coil or Pick-up Coil Color Code / Ω	Lo: Wht-Grn~Blk / 91 Ω ± 10% Hi: Wht-Red~Blk / 16 Ω ± 10%	
Source Coil Color Code / Ω	Lo: Brn~Blk / 381 Ω ± 10% Hi: Red~Blk / 390 Ω ± 10%	
LIGHTING SYSTEM		
Headlight / Taillight / Signal Rating	6V35-35W / 6V25-5.3W / 6V17W	
TROUBLESHOOTING		
Lighting Coil Color Code / Ω	Yel ~ Blk / 0.24 ± 10%	
TORQUE VALUES		
Front Axle Nut	14 x 1.5: 8.5 m·kg	
Front Axle Holder Nut	φ	
Rear Axle Nut	16 x 1.5: 8.5 m·kg	
Rear Axle Pinch Bolt	φ	
Clutch Nut	18 x 1.0: 6.0 m·kg	
Drain Plug	14 x 1.5: 3.0 m·kg	
Cylinder Head Cover	6 x 1.0: 1.0 m·kg	
Cylinder Head:	Stud 10 x 1.25: 2.0 m·kg / Nut 10 x 1.25: 3.8 m·kg	
Engine Mounting Bolts:	Front, Upper	10 x 1.25: 5.6 m·kg
	Front, Lower	10 x 1.25: 5.6 m·kg
	Rear, Upper	10 x 1.25: 6.4 m·kg
	Rear, Lower	10 x 1.25: 6.4 m·kg
	Engine, Upper	8 x 1.25: 2.5 m·kg

φ Does Not Apply to This Model

* Available From Yamaha Parts Distributors, Inc.

CHARGING SYSTEM		Flywheel Magneto / Single Phase / Half Wave
Battery: Model / Spec. Grav. / Chg. Rate	G.S. 6N6-3B (6V6AH) / 1.26 / 0.6A	
Maximum Output	8.4V 2A @ 4000 rpm	
TROUBLESHOOTING		
Field Coil Color Code / Ω	ϕ	
Charge Coil Color Code / Ω	Wht ~ Blk / 0.28 $\Omega \pm 10\%$	
IGNITION SYSTEM		
Ignition Timing	7° Mark	
	Std: 7° @ 1200 rpm Adv: 33.5° @ 7000 rpm	
Spark Plug Type	NGK BP6ES	
Spark Plug Gap / Torque / Cap Ω	0.7 ~ 0.8mm / 2.0 m·kg / 5K $\Omega \pm 10\%$	
Point Gap / Condenser Capacitance	ϕ / ϕ	
TROUBLESHOOTING		
Ignition Coil Test Gap / Primary Ω / Secondary Ω	6mm / 0.98 $\Omega \pm 10\%$ / 12K $\Omega \pm 20\%$	
Pulse Coil or Pick-up Coil Color Code / Ω	Lo:Wht-Grn~Blk / 91 $\Omega \pm 10\%$ Hi:Wht-Red~Blk / 16 $\Omega \pm 10\%$	
Source Coil Color Code / Ω	Lo:Brn~Blk / 381 $\Omega \pm 10\%$ Hi:Red~Blk / 390 $\Omega \pm 10\%$	
LIGHTING SYSTEM		
Headlight / Taillight / Signal Rating	6V35-35W / 6V25-5.3W / 6V17W	
TROUBLESHOOTING		
Lighting Coil Color Code / Ω	Yel ~ Blk / 0.24 $\pm 10\%$	
TORQUE VALUES		
Front Axle Nut	14 x 1.5: 8.5 m·kg	
Front Axle Holder Nut	ϕ	
Rear Axle Nut	16 x 1.5: 8.5 m·kg	
Rear Axle Pinch Bolt	ϕ	
Clutch Nut	18 x 1.0: 6.0 m·kg	
Drain Plug	14 x 1.5: 3.0 m·kg	
Cylinder Head Cover	6 x 1.0: 1.0 m·kg	
Cylinder Head:	Stud 10 x 1.25: 2.0 m·kg / Nut 10 x 1.25: 3.8 m·kg	
Engine Mounting Bolts:	Front, Upper	10 x 1.25: 5.6 m·kg
	Front, Lower	10 x 1.25: 5.6 m·kg
	Rear, Upper	10 x 1.25: 6.4 m·kg
	Rear, Lower	10 x 1.25: 6.4 m·kg
	Engine, Upper	8 x 1.25: 2.5 m·kg

ϕ Does Not Apply to This Model

* Available From Yamaha Parts Distributors, Inc.